

Series MF

Fixed displacement motors: 71, 80, 90 cm³/rev



Description

Fixed displacement swash plate axial piston motors are used in set with hydrostatic transmission with pumps series 416.

Three working displacement are available: 71, 80, 90 cm³/rev.

Loop flush valve are mounted in.

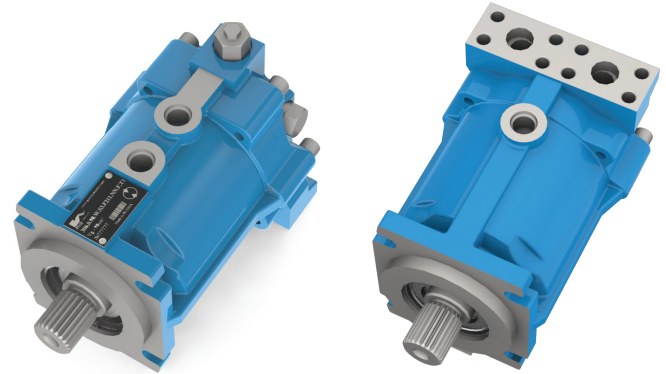
Build-in rotation speed sensor is available as an option.

Spline shafts:

“S2” - 1 1/2' 21 tooth 16/32 pitch ANSI B92

“S3” - 1 3/8' 23 tooth 16/32 pitch ANSI B92

General view



Technical specifications

Parameter	MF.0.71	MF.0.80	MF.0.90
Working displacement, cm ³ /rev	71	80	90
Rotation speed, rpm			
- min	50	50	50
- nominal	2000	2000	2000
- max	3000	3000	3000
Flow, l/min			
- min	3,55	4	4,5
- nominal	142	160	180
- max	213	240	270
Pressure, Bar			
- nominal	250	250	250
- max working	400	400	400
Effective power, kW			
- nominal	59	66	75
- max	142	160	180
Effective torque, Nm			
- nominal	271	306	344
- max	434	489	550
Weight, kg	28	28	28

Values of torque are given with consideration of hydraulic mechanical efficiency coefficient: 0,96.

The rest parameters are theoretical without consideration of efficiency coefficient.

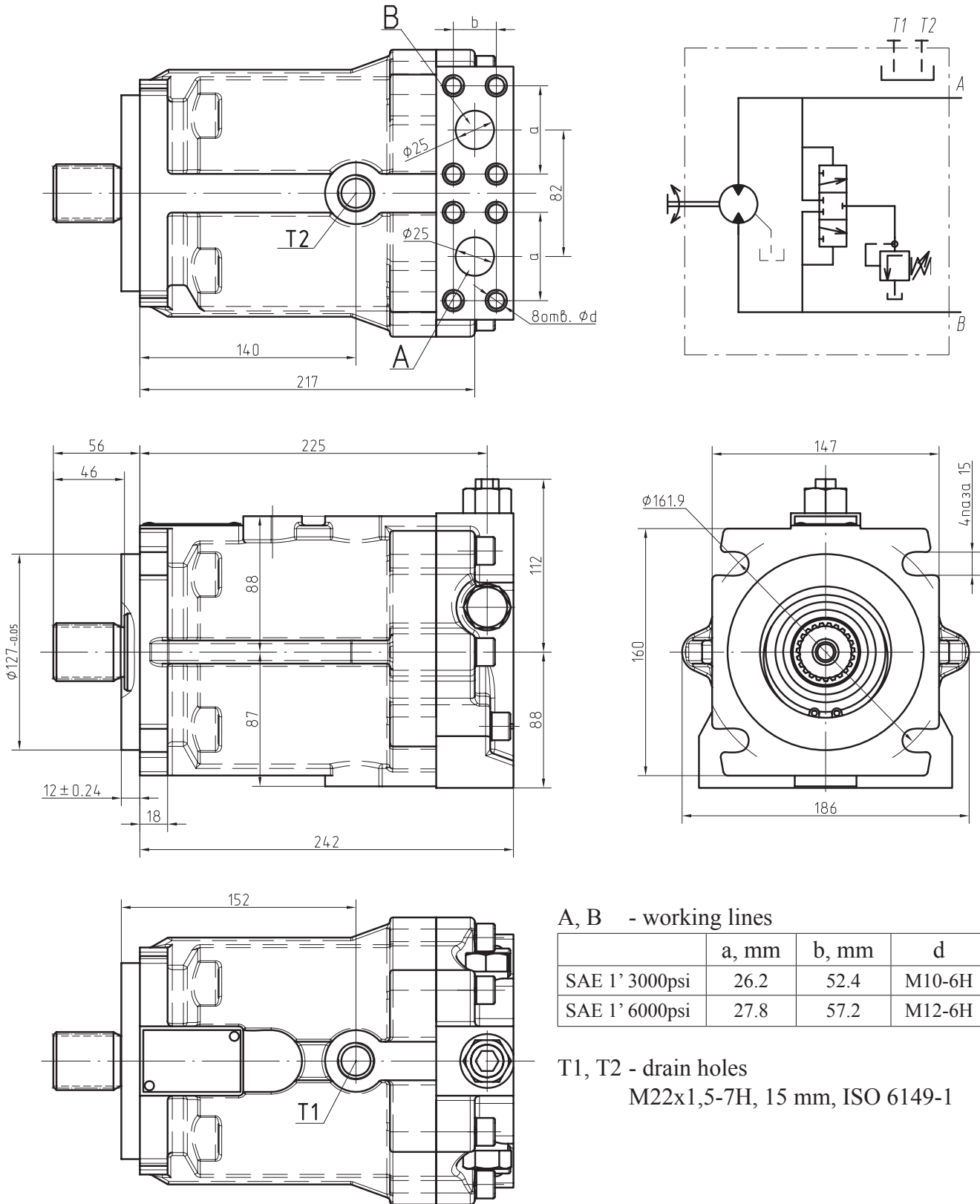


Series MF

Fixed displacement motors: 71, 80, 90 cm³/rev



Over-all mounting dimensions



A, B - working lines

	a, mm	b, mm	d
SAE 1' 3000psi	26.2	52.4	M10-6H
SAE 1' 6000psi	27.8	57.2	M12-6H

T1, T2 - drain holes
M22x1,5-7H, 15 mm, ISO 6149-1

