

MSE03

HYDRAULIC MOTORS

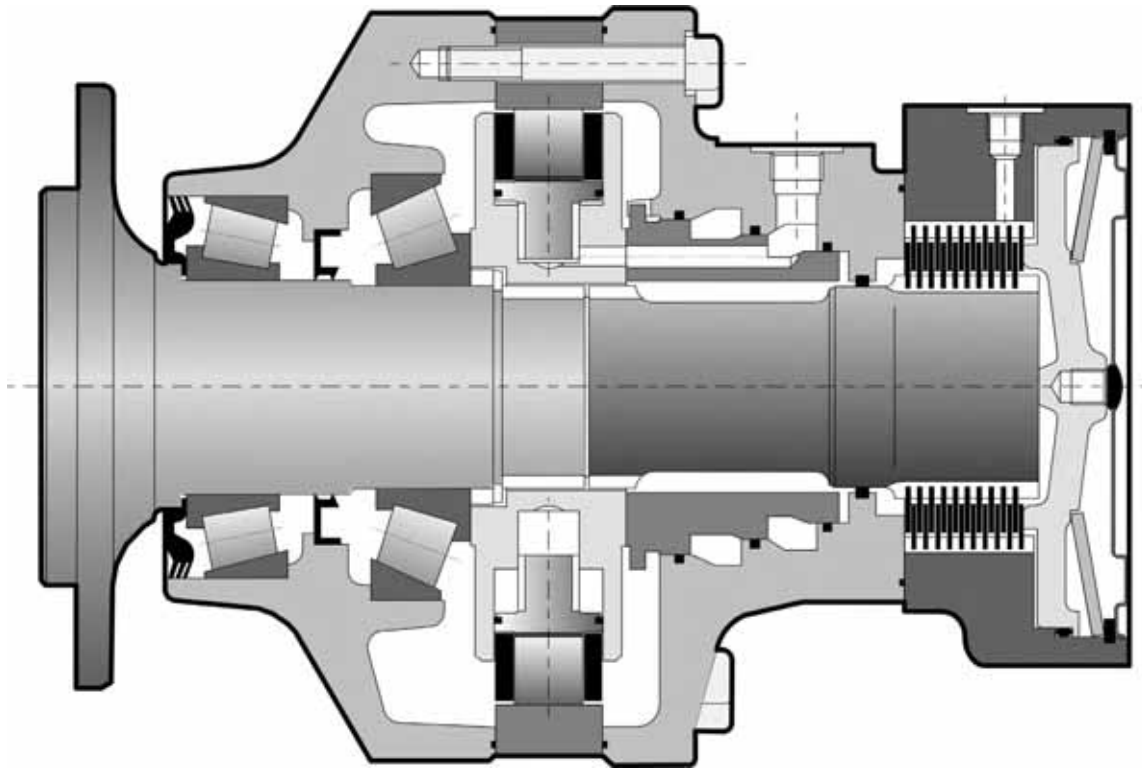
C				A	B	C	D	E	N
				mm[in]	mm[in]	mm[in]	mm[in]	mm[in]	mm[in]
1	1	1	0	Ø 175.7	Ø 225	Ø 265	253.45	Ø 334	Ø 291
1	2	3	4	[6.92 dia.]	[8.86 dia.]	[10.43 dia.]	[9.98]	[13.15 dia.]	[0.94]
P									
1	2	1	0	Ø 220.7	Ø 275	Ø 314	253.25	Ø 291	Ø 291
1	2	3	4	[8.69 dia.]	[10.83 dia.]	[12.36 dia.]	[9.97]	[11.46 dia.]	[0.87]
P									
1	7	1	0	Ø 220.7	Ø 275	Ø 314	253.25	Ø 334	Ø 291
1	2	3	4	[8.69 dia.]	[10.83 dia.]	[12.36 dia.]	[9.97]	[13.15 dia.]	[0.87]
P									
1	3	1	0	Ø 175.7	Ø 225	Ø 276	208.75	Ø 334	Ø 291
1	2	3	4	[6.92 dia.]	[8.86 dia.]	[10.87 dia.]	[8.22]	[13.15 dia.]	[0.94]
P									
1	4	1	0	Ø 220.7	Ø 254	Ø 285	163.2	Ø 334	Ø 175.7
1	2	3	4	[8.69 dia.]	[10.00 dia.]	[11.22 dia.]	[6.43]	[13.15 dia.]	[0.69]
P									
1	1	1	0	Ø 175.7	Ø 225	Ø 265	253.45	Ø 334	Ø 291
1	2	3	4	[6.92 dia.]	[8.86 dia.]	[10.43 dia.]	[9.98]	[13.15 dia.]	[0.94]
P									
1	2	1	0	Ø 220.7	Ø 275	Ø 314	253.25	Ø 291	Ø 291
1	2	3	4	[8.69 dia.]	[10.83 dia.]	[12.36 dia.]	[9.97]	[11.46 dia.]	[0.87]
P									
1	3	1	0	Ø 175.7	Ø 225	Ø 276	208.75	Ø 334	Ø 291
1	2	3	4	[6.92 dia.]	[8.86 dia.]	[10.87 dia.]	[8.22]	[13.15 dia.]	[0.94]
P									
1	4	1	0	Ø 220.7	Ø 254	Ø 285	163.2	Ø 334	Ø 175.7
1	2	3	4	[8.69 dia.]	[10.00 dia.]	[11.22 dia.]	[6.43]	[13.15 dia.]	[0.69]
P									
1	2	1	0	Ø 220.7	Ø 275	Ø 314	253.25	Ø 291	Ø 291
1	2	3	4	[8.69 dia.]	[10.83 dia.]	[12.36 dia.]	[9.97]	[11.46 dia.]	[0.87]
P									
1	7	1	0	Ø 220.7	Ø 275	Ø 314	253.25	Ø 334	Ø 291
1	2	3	4	[8.69 dia.]	[10.83 dia.]	[12.36 dia.]	[9.97]	[13.15 dia.]	[0.87]
P									
1	3	1	0	Ø 175.7	Ø 225	Ø 276	208.75	Ø 334	Ø 291
1	2	3	4	[6.92 dia.]	[8.86 dia.]	[10.87 dia.]	[8.22]	[13.15 dia.]	[0.94]
P									

T E C H N I C A L C A T A L O G





CHARACTERISTICS



Motor inertia = 0.01 kg.m²
 Noise emissions = 60 dBA

	C	Displacement		Theoretical torque		Max. power			Max. speed			Max. pressure
		1	2	1		1	2	2	1	2	2	
		cm ³ /tr [cu.in./rev.]	cm ³ /tr [cu.in./rev.]	at 100 bar	at 1000 PSI	kW [HP]	preferred	non-preferred	tr/min[RPM]	tr/min[RPM]	tr/min[RPM]	
Cams with equal lobes	1	450 [27.4]	225 [13.7]	716	[364]	22 [30]	16.5 [22]	11 [15]	155			350 [5 076]
	2	500 [30.5]	250 [15.2]	795	[404]				140	166	183	

- 1 First displacement
- 2 Second displacement



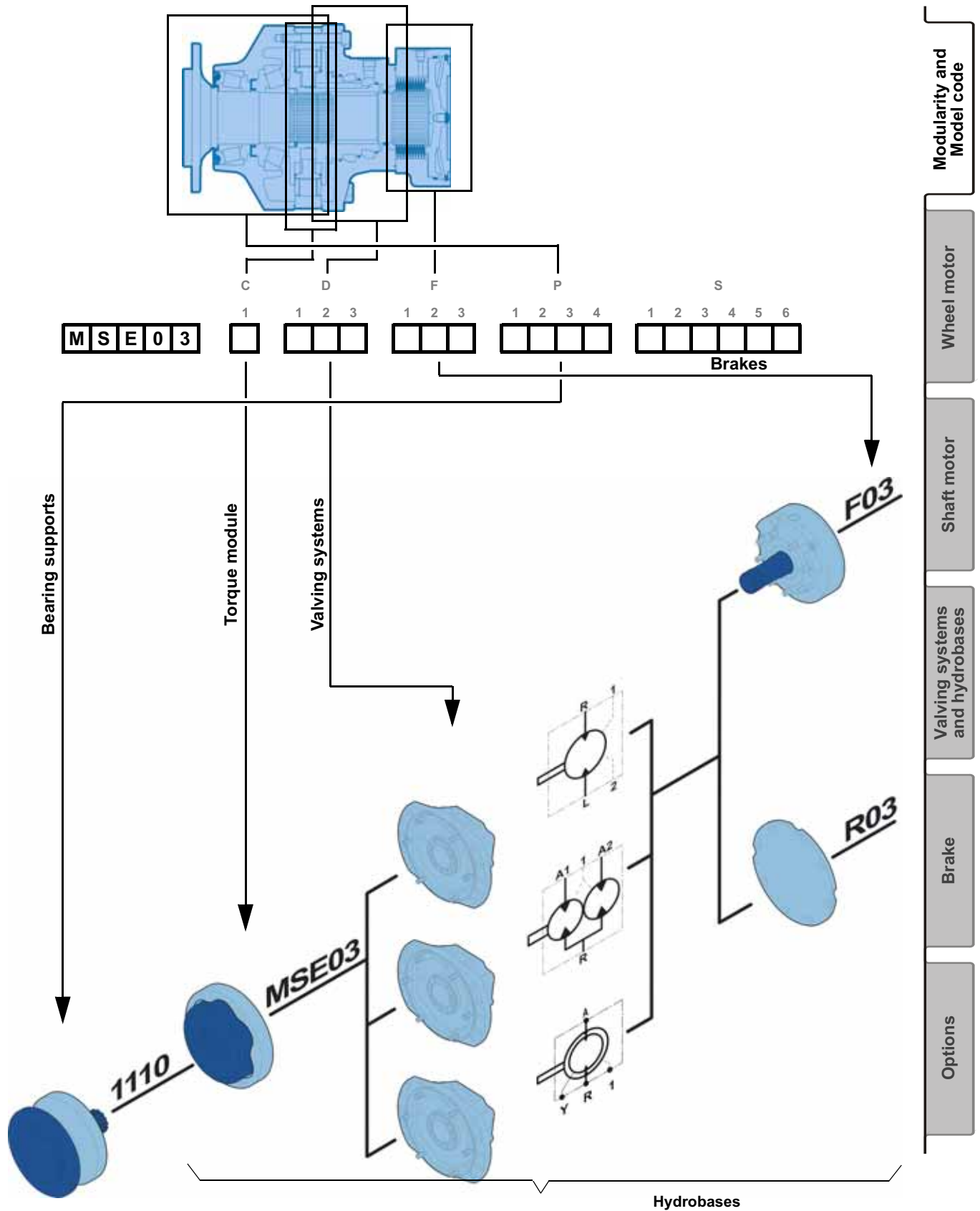
CONTENT

	MODULARITY	5	Modularity and Model code
	MODEL CODE	6	
	WHEEL MOTOR	8	Wheel motor
	Dimensions for standard (1110) 1-displacement motor	8	
	Dimensions for standard (1110) 2-displacement motor	9	
	Dimensions for standard (1110) Twin-Lock™ motor	9	
	Load curves	10	
Studs	10		
			Shaft motor
	VALVING SYSTEMS AND HYDROBASES	11	Valving systems and hydrobases
Dimensions for 1-displacement valving	11		
Cylinder block splines	11		
Dimensions for Twin-Lock™ valving	12		
Chassis mountings	13		
Hydraulic connections	14		
Efficiency	14		
	BRAKES	15	Brake
Rear brake	15		
	OPTIONS	17	Options



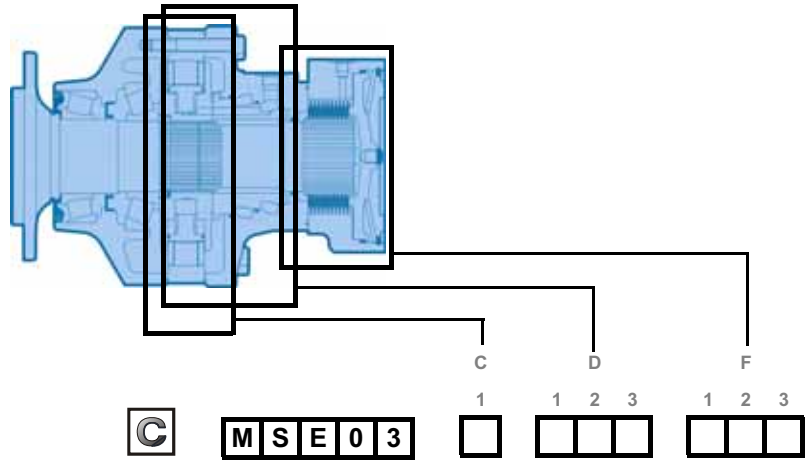


MODULARITY





MODEL



		cm ³ /tr [cu.in/rev.]	
Cams with equal lobes	1	450 [27,4]	225 [13,7]
	2	500 [30,5]	250 [15,2]

Without mounting	1	D
With mounting	2	E

1 Displacement
2 Displacement Twin-Lock™

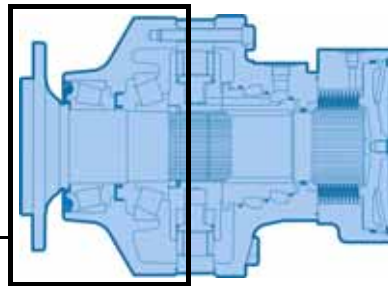
ISO 11926-1 connection	A
ISO 1179-1 connection	3

1-displacement valving	1
2-displacement & Twin-Lock™ valving (Clockwise)	D Ratio 2 E Ratio <2 F Ratio >2
2-displacement & Twin-Lock™ valving (Counterclockwise)	G Ratio 2 H Ratio <2 J Ratio >2

Brake	F 0 3
Without brake (reinforced plate)	R 0 3



CODE



0	Without bearing support
1	Without mounting
<hr/>	
0	Without shaft
1	5 x Ø18 on Ø140
<hr/>	
1	Without studs
2	With studs + nuts
3	With studs

0	Without Options or Adaptations
2	T4 Speed sensor installed
3	Brake environmental cover without plug
7	Diamond™
8	Predisposition for speed sensor
D	Special paint or no paint
E	Reinforced sealing
G	Special wheel rim mounting
H	High efficiency
J	Surface heat treatment of the shaft
S	TR Speed sensor installed

Modularity and Model code

Wheel motor

Shaft motor

Valving systems and hydrobases

Brake

Options



Methodology :

This document is intended for manufacturers of machines that incorporate Poclair Hydraulics products. It describes the technical characteristics of Poclair Hydraulics products and specifies installation conditions that will ensure optimum operation. This document includes important comments concerning safety. They are indicated in the following way:



Safety comment.

This document also includes essential operating instructions for the product and general information. These are indicated in the following way:



Essential instructions.



General information .



Information on the model code.



Weight of component without oil.



Volume of oil.



Units.



Tightening torque.



Screws.



Information intended for Poclair-Hydraulics personnel.

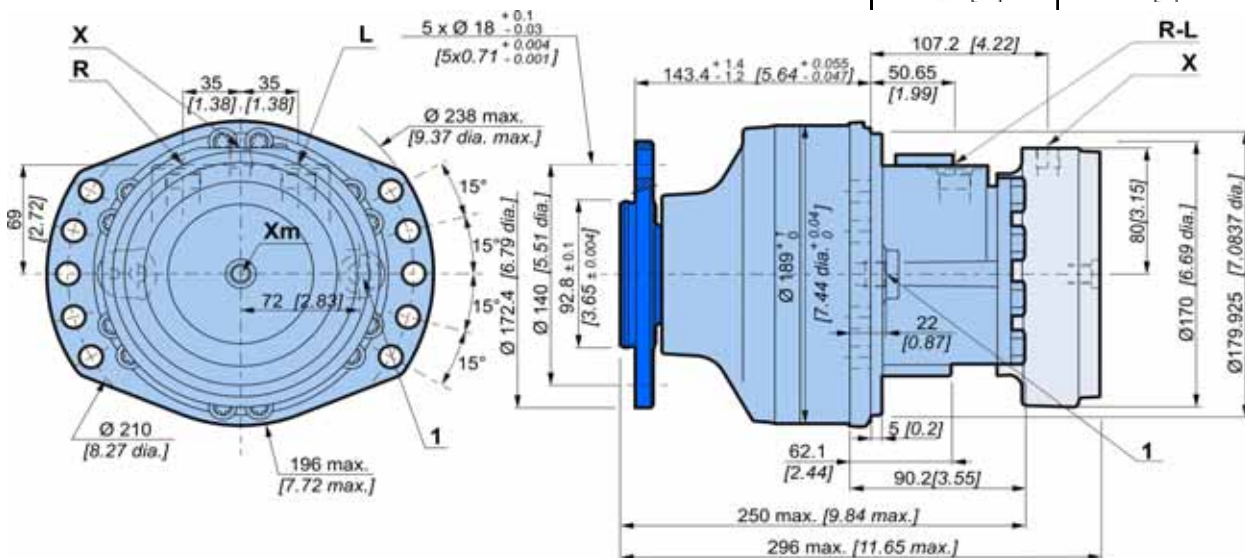
The views in this document are created using metric standards.

The dimensional data is given in mm and in inches (inches are between brackets and italic)



Dimensions for standard (1110) 1-displacement motor

	26 kg [57 lb]	32 kg [70 lb]
	0,70 L [42 cu.in]	0,60 L [36 cu.in]

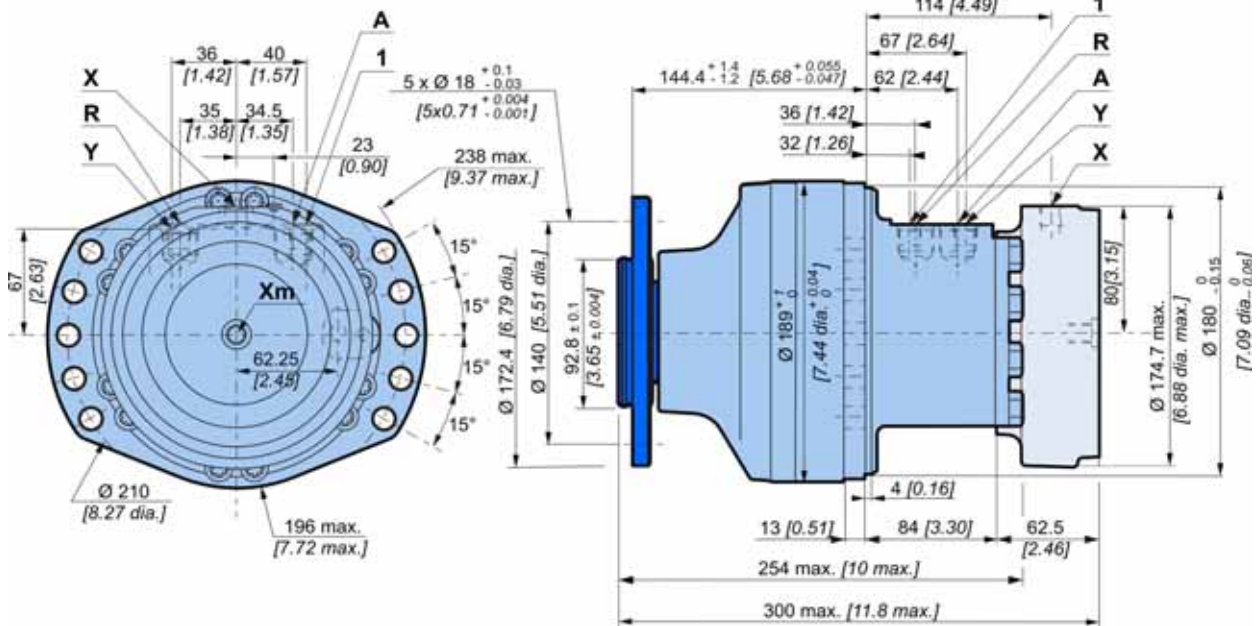




WHEEL MOTOR

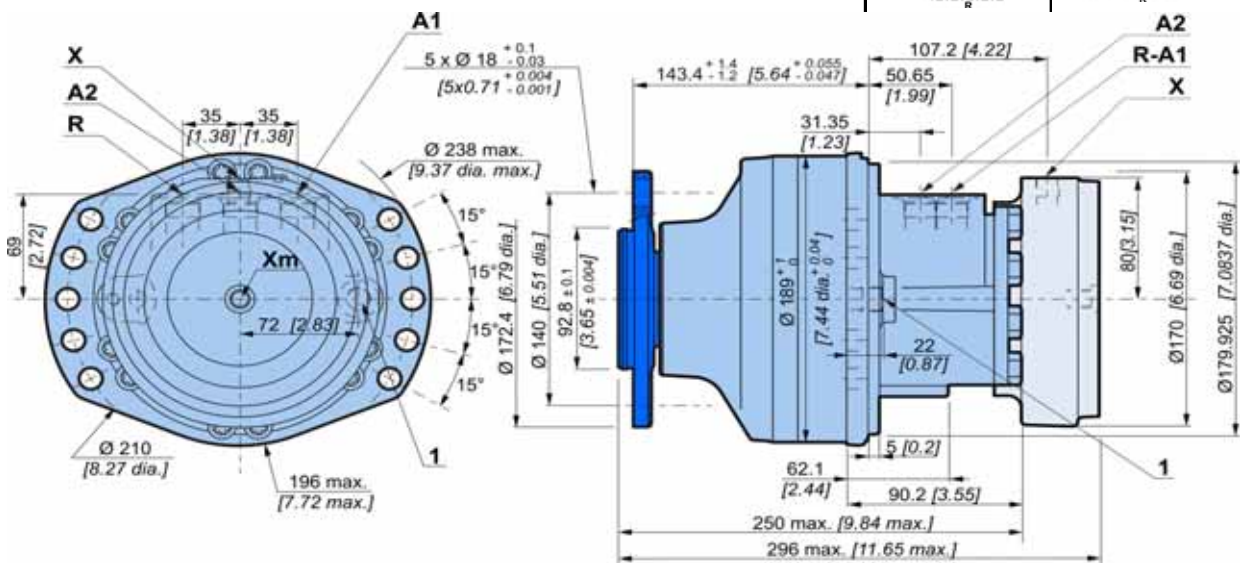
Dimensions for standard (1110) 2-displacement motor

	26 kg [57 lb]	32 kg [70 lb]
	0,70 L [42 cu.in]	0,60 L [36 cu.in]



Dimensions for standard (1110) Twin-Lock™ motor

	26 kg [57 lb]	32 kg [70 lb]
	0,70 L [42 cu.in]	0,60 L [36 cu.in]



Also see 'Valving systems and hydrobases' section (thumbnail opposite).

Modularity and Model code

Wheel motor

Shaft motor

Valving systems and hydrobases

Brake

Options



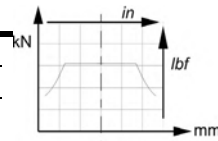
Load curves

Permissible radial loads

Test conditions :

Static : 0 tr/min [0 RPM] 0 bar [0 PSI]

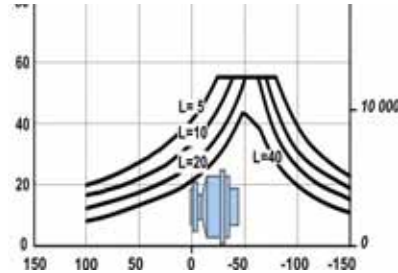
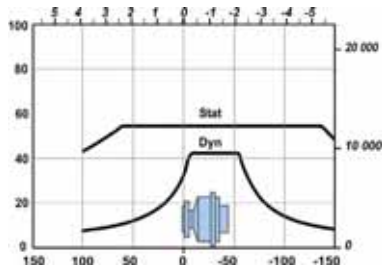
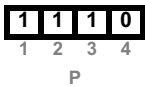
Dynamic : 0 tr/min [0 RPM], code 0 displacement, without axial load at max. torque



Service life of bearings

Test conditions :


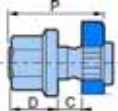


L : Millions B10 revolutions at 150 bars (average pressure), with 25 cSt fluid, code 0 displacement, without axial load.



The service life of the components is influenced by the pressure. You must check that the combination of forces applied (Axial load / Radial load) is compatible with the permissible loads for the components, and that the resulting service lives of these components complies with the application's specifications. For an accurate calculation, consult your Poclain Hydraulics application engineer.



Studs

	P mm [in]	C min. mm [in]	C max. mm [in]	D mm [in]		Class	 (1) N.m [lb.ft]	 (2) N.m [lb.ft]
M14x1.5	45 [1,77]	5 [0,20]	10 [0,39]	16,5 [0,65]		12,9	200 [147,5]	250 [184,4]

(*) The tightening torques are given for the indicated loads.

(1) **Wheel rim** : Suggested tightening torque for wheel rim mountings (Re steel disc > 240 N/mm² [>34 800 PSI]).

(2) **Standard** : Suggested tightening torque in other cases (Re steel flange 360 > N/mm² [>52 215 PSI])



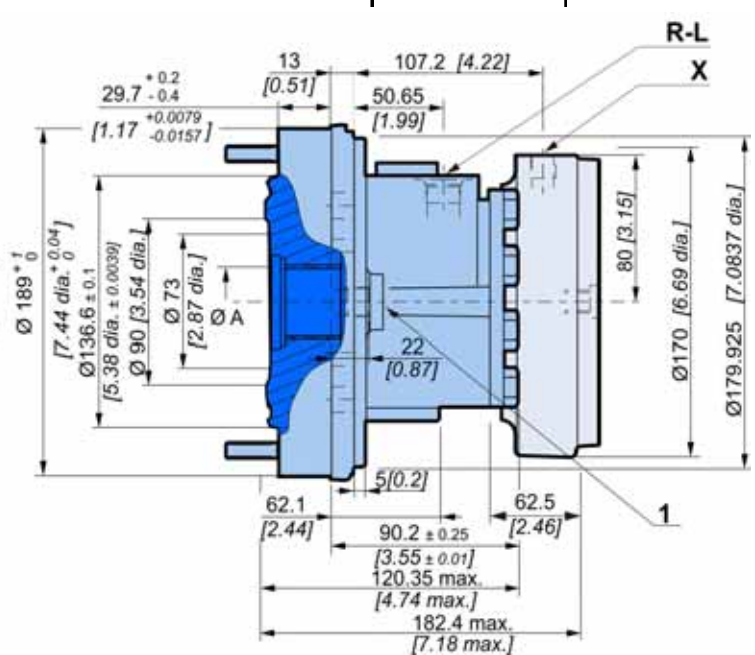
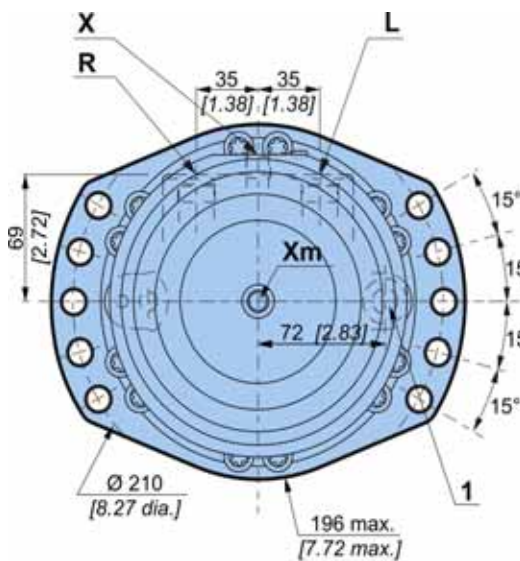
See generic installation motors N°801478197L.



VALVING SYSTEMS AND HYDROBASES

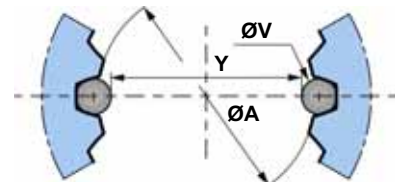
Dimensions for 1-displacement valving

	18,3 kg [40 lb]	24 kg [53 lb]
	0,30 L [18 cu.in]	0,40 L [24 cu.in]



Cylinder block splines (as per standard NF E22-141)

ØA	Module	Z	Dimension on 2 pins	
			Y	ØV
40 [1,575]	1,667	22	33,446 [1,317]	3,33 [0,131]



You are advised to have the installation validated by your Poclair Hydraulics application engineer before using the hydraulic unit in an application.



We must provide you with a detailed plan of the interface for any hydraulic unit use, consult your Poclair Hydraulics sales engineer.

Modularity and Model code

Wheel motor

Shaft motor

Valving systems and hydrobases

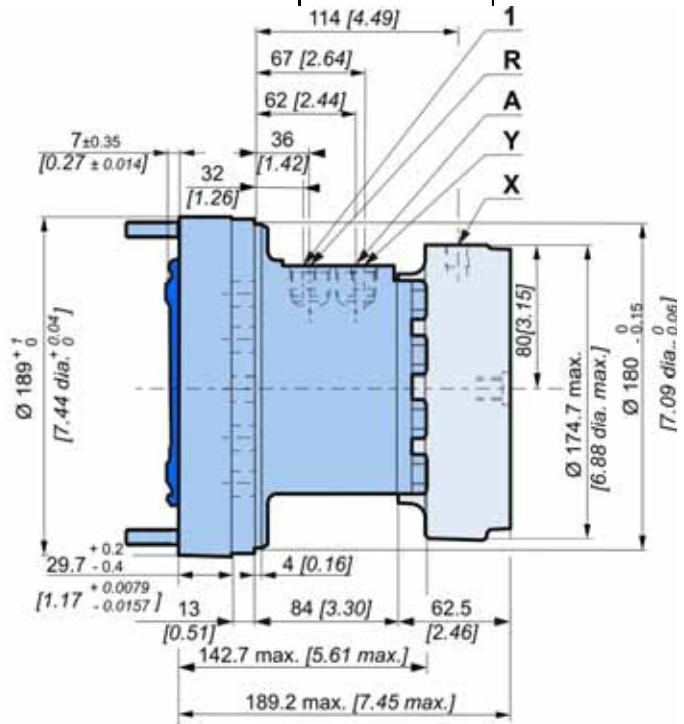
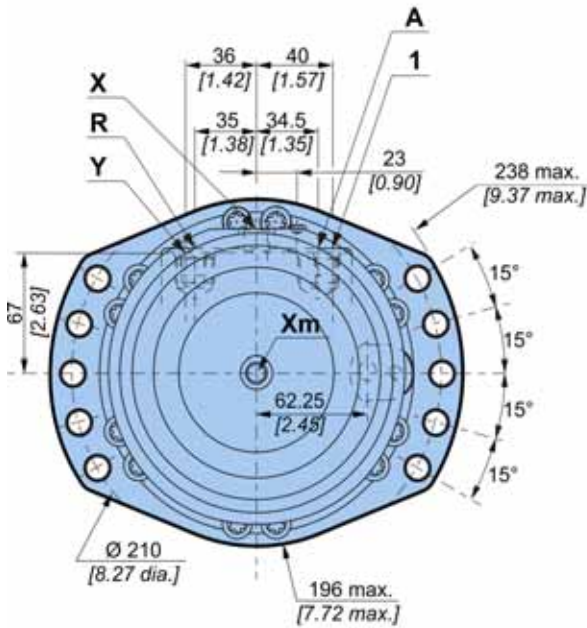
Brake

Options



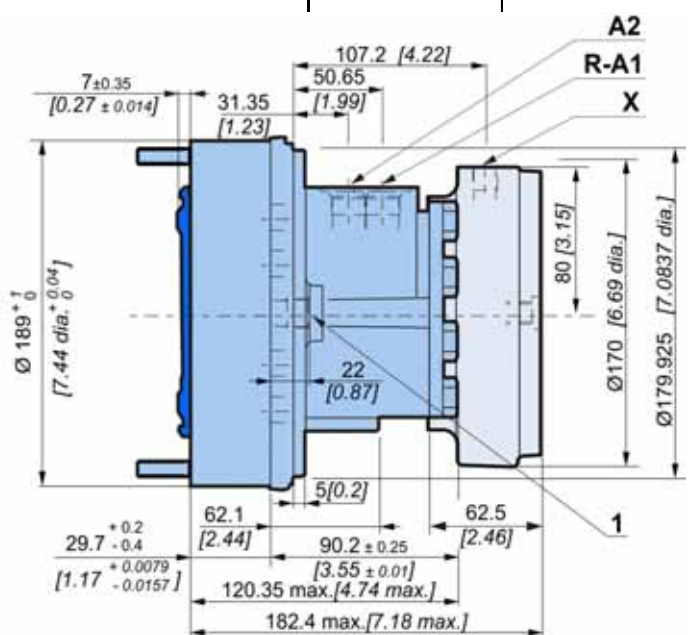
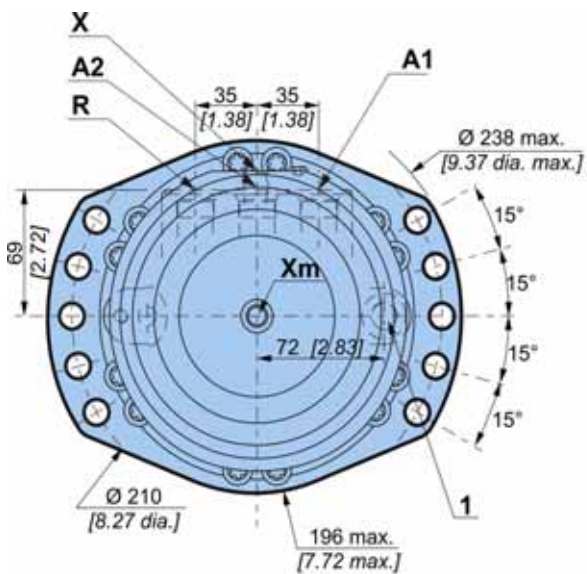
Dimensions for 2-displacement valving

	17,3 kg [38 lb]	23,0 kg [51 lb]
	0,30 L [18 cu.in]	0,40 L [24 cu.in]



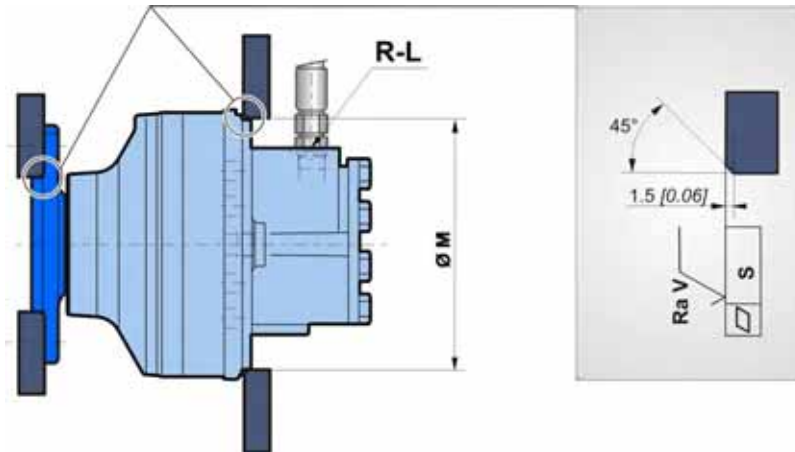
Dimensions for Twin-Lock™ valving

	17,3 kg [38 lb]	23,0 kg [51 lb]
	0,30 L [18 cu.in]	0,40 L [24 cu.in]







Chassis mountings



Take care over the immediate environment of the connections.

$\varnothing M^{(1)}$	$\varnothing U$	S	Ra V		Class	 (*)
180,25 [7,10]	210 [8,27]	0,2 [0,008]	12,5 μ m [0,49 μ in]	2 x 5 M12 x 2	10,9	120 N.m [88,5 lb.ft]

(1) +0,3 [+0,012]
+0,2 [+0,008]

* : Min. values for torque and load to be transmitted.

Modularity and Model code

Wheel motor

Shaft motor

Valving systems and hydrobases

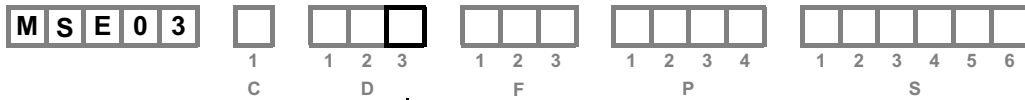
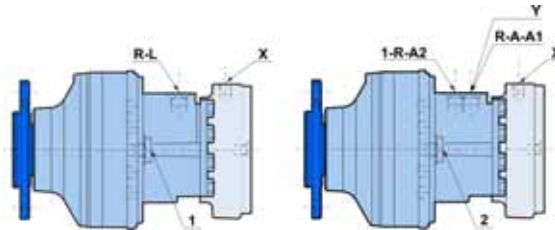
Brake

Options



Hydraulic connections

connections



	Old standards	Standards	Power supply	Case drain	2 nd displacement control	Control of parking break
			R-L	1, 2		X
	A	SAE J514	ISO 11 926-1	7/8"-14 UNF	9/16"-18 UNF	9/16"-18 UNF
	3	BSPP	ISO 1 179-1	Ø21 [1/2" dia.]	Ø13 [1/4" dia.]	Ø13 [1/4" dia.]
			R-A	1, 2	Y	X
	A	SAE J514	ISO 11 926-1	7/8"-14 UNF	9/16"-18 UNF	9/16"-18 UNF
			R-A1-A2	1, 2		X
	A	SAE J514	ISO 11 926-1	7/8"-14 UNF	9/16"-18 UNF	9/16"-18 UNF
	3	BSPP	ISO 1 179-1	Ø21 [1/2" dia.]	Ø13 [1/4" dia.]	Ø13 [1/4" dia.]
Max. pressures	MS	bar [PSI]		350 [5 076]	1 [15]	30 [435]



You are strongly advised to use the fluids specified in brochure "Installation guide" N° 801478197L.

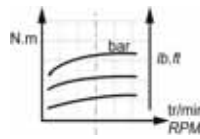
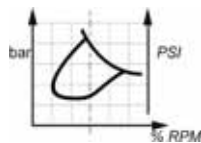


To find the connections' tightening torques, see the brochure "Installation guide" N° 801478197L.

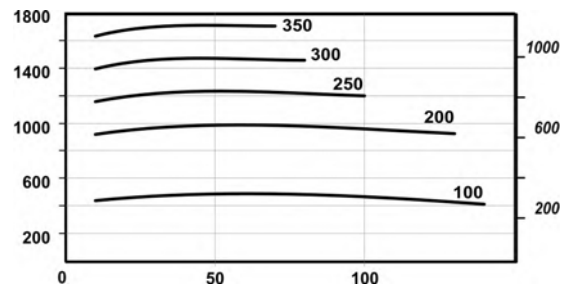
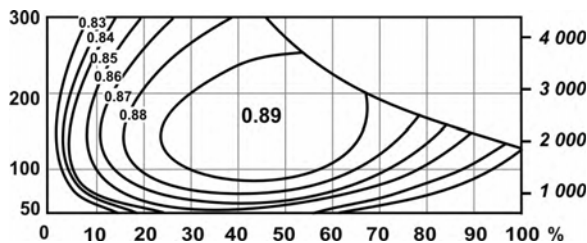
Efficiency

Overall efficiency

Average values given for guidance for code 0 displacement after 100 hours of operation with HV46 hydraulic fluid at 50°C [122°F].



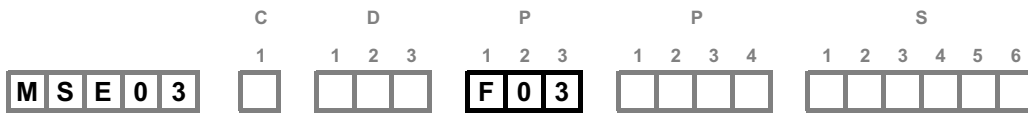
Actual output torque



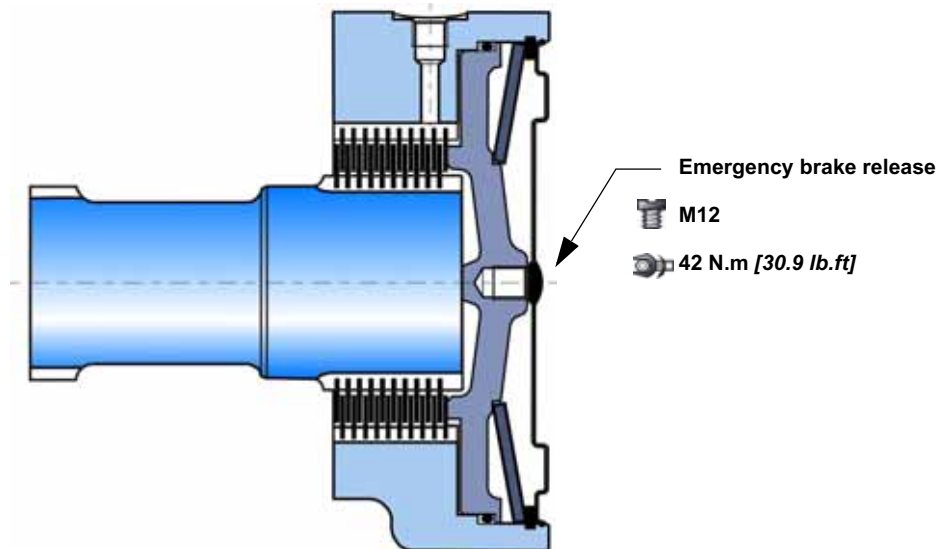
The starting torque is taken to be approximately 85% of the first value for available pressure. For a precise calculation, consult your Poclair Hydraulics application engineer.



BRAKES



Rear brake



Brake principle

This is a multidisc brake which is activated by a lack of pressure. The spring exerts a force on the piston, which presses on the fixed and mobile discs, and immobilizes the shaft. The braking torque decreases in linear proportion to the brake release pressure.

C	F 0 3
Parking brake torque at 0 bars on housing (new brake)	2 500 Nm [1 840 lb.ft]
Dynamic emergency braking torque at 0 bars on housing (max. 10 uses of emergency brakes)	1 625 Nm [1 200 lb.ft]
Residual parking braking at 0 bars on housing *	1 875 Nm [1 380 lb.ft]
Min. brake release pressure	12 bar [174 PSI]
Max. brake release pressure	30 bar [435 PSI]
Oil capacity	100 cm ³ [6.1 cu.in]
Volume for brake release	16 cm ³ [1.0 cu.in]
Max. energy dissipation	38 179 J

* After emergency brake has been used



Do not run in multidisc brakes.



A functional check of the parking brake must be carried out each time it is used as an auxiliary brake (or emergency brake). For all vehicles capable of speeds over 25 km/hour, please contact your Poclair Hydraulics application engineer.

Modularity and Model code

Wheel motor

Shaft motor

Valving systems and hydrobases

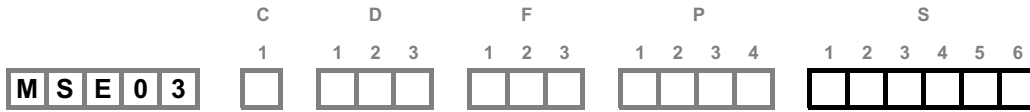
Brake

Options





OPTIONS

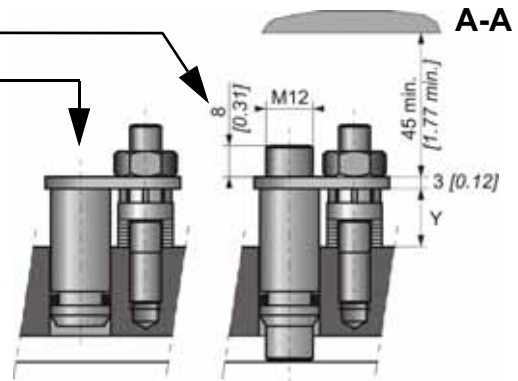
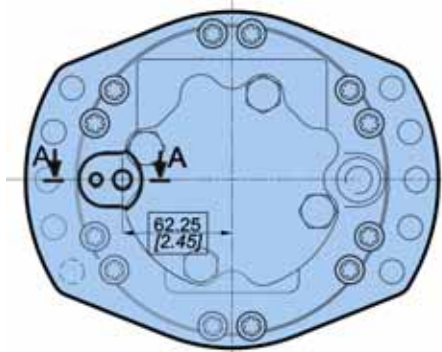


You can accumulate more than one optional part. Consult your Poclair Hydraulics sales engineer.

2 - S - 8 - Installed speed sensor or predisposition

Designation

T4 Speed sensor installed	2
TR Speed sensor installed	S
Predisposition for speed sensor	8



Max. length Y= 19
Standard number of pulses per revolution= 40



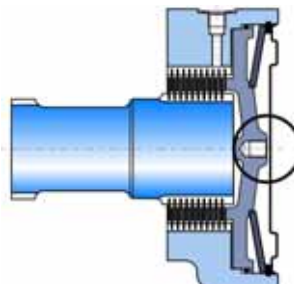
Look at the "Mobile Electronic" N° A01889D technical catalogue for the sensor specifications and its connection.



To install the sensor, see the "Installation guide" brochure No. 801478197L.

3 - Brake environmental cover without plug

No plug or hole in the cover.
(see figure opposite)



Modularity and Model code

Wheel motor

Shaft motor

Valving systems and hydrobases

Brake

Options

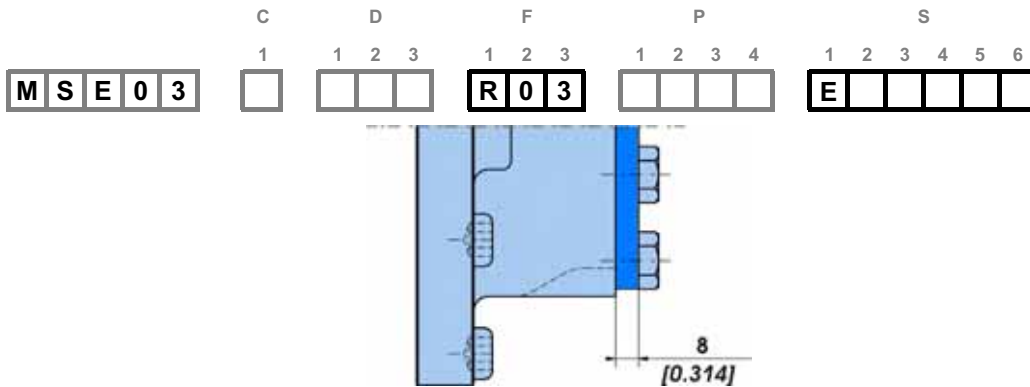


7 - Diamond™

Special treatment of the motor core which considerably increases its strength, making the motor much more tolerant to temporary instances of the operating conditions being exceeded.

E - Reinforced sealing

Reinforced seals and, for an unbraked motor, a rear reinforced plate (R02 - 8 mm thick, instead of 2 mm).



G - Special wheel rim mounting

Enables certain combinations different from the standard mountings defined on page 10 are possible.



Consult your Poclain Hydraulics sales engineer.

H - High efficiency

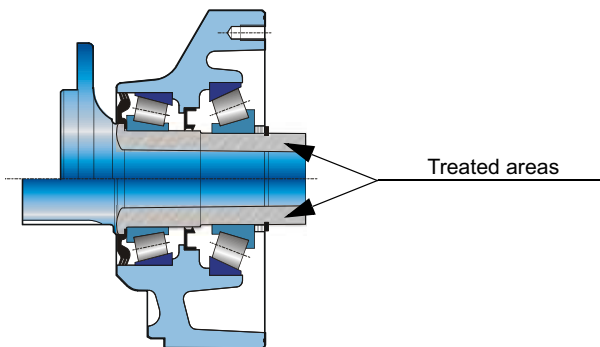
Reinforced piston sealing to improve volumetric efficiency.



For a precise calculation, consult your Poclain Hydraulics application engineer.

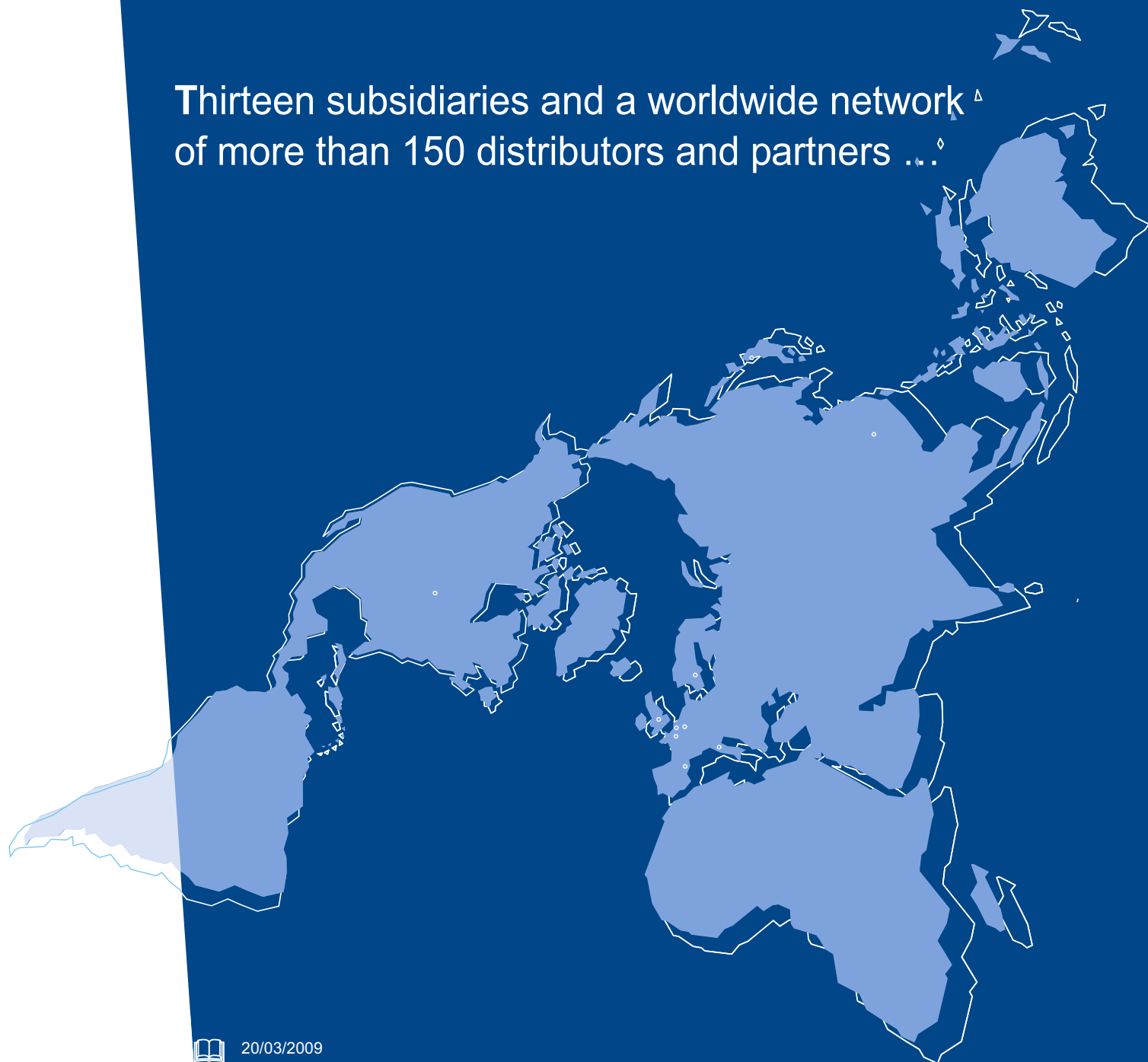
J - Treated shaft

Heat treatment on the indicated bearing radius and splines.





Thirteen subsidiaries and a worldwide network
of more than 150 distributors and partners ...



	20/03/2009
	801 478 117Z
	801 478 187A
	801 478 199N
	801 578 112P
	801 578 124C
	
	
	

Poclain Hydraulics reserves the right to make any modifications it deems necessary to the products described in this document without prior notification. The information contained in this document must be confirmed by Poclain Hydraulics before any order is submitted.

Illustrations are not binding.

The Poclain Hydraulics brand is the property of Poclain Hydraulics S.A.