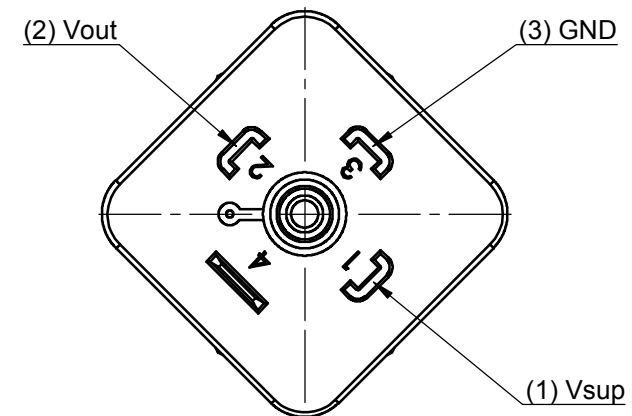
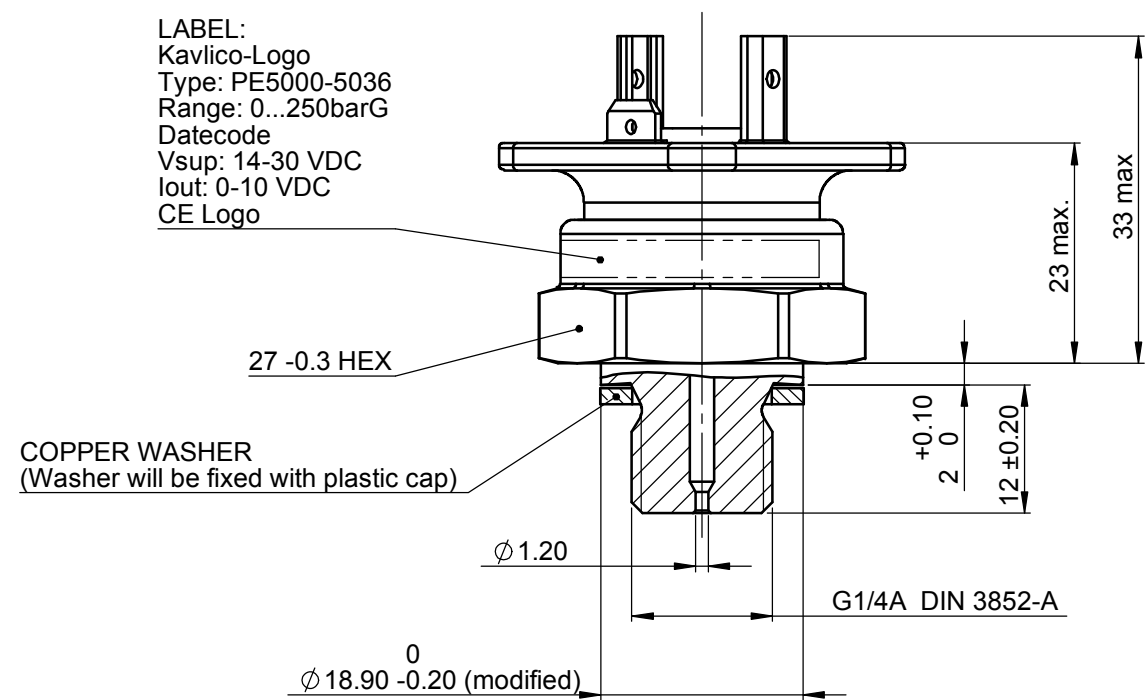


Kavlico GmbH Confidential Proprietary.
Property of Kavlico GmbH. Not to be reproduced by any means or used to furnish information to others without explicit written consent of Kavlico GmbH. All rights reserved.

Pressure range				
from 0 to ...	250 bar (gage)			
Proof pressure	375 bar (gage)			
Burst pressure	500 bar (gage)			
Electrical				
Output Signal	0...10 VDC			
Operating supply voltage	14-30 VDC			
Power consumption	≤ 300 mW			
Oversvoltage protection	min. 33 VDC			
Short-circuit proofness	Yes * ¹⁾			
Reverse polarity protection	Yes * ²⁾			
* ¹⁾ for min. 3 intervals at 5 minutes each				
* ²⁾ for min. 10 seconds on assigned pins				
Minimum load	25 kΩ			
Response time	≤ 2 ms max. to 63% of full scale pressure with step change on input			
PIN Assignment				
	PIN 1	PIN 2	PIN 3	PIN 4
	Vsup	Vout	GND	...
Accuracy				
Accuracy * ³⁾	≤ 0.5 % of span			
Non-linearity * ⁴⁾	0.1 % of span			
Non-repeatability	0.1 % of span			
1-year stability * ⁵⁾	0.5 % of span			
* ³⁾ Including non-linearity, hysteresis, non-repeatability, zero point and full scale error (corresponds to error of measurement per IEC 61298-2). Adjusted in vertical mounting position with pressure port down.				
* ⁴⁾ BFSL according to IEC 61298-2				
* ⁵⁾ with reference conditions to EN 61298-1				
Temperatures				
Medium	-30°C to + 120°C			
Environmental	-30°C to + 100°C			
Storage	-30°C to + 100°C			
Temperature coefficients				
TC zero	0.2 % of span / 10 K within temperature range 0°C to + 80°C			
TC span	0.2 % of span / 10 K within temperature range 0°C to + 80°C			
Conformity				
RoHS	according to 2002/95/EC RoHS Directive			
CE	Pressure equipment directive 97/23/EC EMC directive 2004/108/EEC, EN 61 326 Emission (Group 1, Class B) and Immunity (industrial locations)			
Vibration resistance	IEC 60068-2-64 (RANDOM) 20 PSD			
Shock resistance	25 g minimum according to EN 60068-2-27			
Electrical connector	18 mm on basis of DIN 175301-803A			
Ingress protection per IEC 60 529	IP65			
Weight	51 gram			
Media				
All class II fluids and gases compatible with stainless steel 304 (1.4301)				

KAVLICO IS NOT EXPERT IN THE CUSTOMER'S TECHNICAL FIELD AND THEREFORE DOES NOT WARRANT THE SUITABILITY OF ITS PRODUCT FOR THE APPLICATION SELECTED BY THE CUSTOMER. KAVLICO ASSUMES NO LIABILITIES IN APPLICATIONS WHERE THIS PRODUCT IS USED AS SAFETY OR EMERGENCY STOP DEVICES, OR IN ANY OTHER APPLICATIONS WHERE FAILURE OF THIS PRODUCT COULD RESULT IN PERSONAL INJURIES OR DEATH. REFER TO KAVLICO TERMS AND CONDITIONS OF SALE (AS PROVIDED WITH QUOTATION AND ORDER ACKNOWLEDGEMENTS) FOR WARRANTY TERMS AND LIMITATION OF LIABILITY.

LABEL:
Kavlico-Logo
Type: PE5000-5036
Range: 0...250barG
Datecode
Vsup: 14-30 VDC
Iout: 0-10 VDC
CE Logo



DATE CODE EXAMPLE: 24011
240 240th DAY OF YEAR
11 CURRENT YEAR

PROPOSED SPECIFICATIONS
AND CONFIGURATIONS
FOR PROTOTYPE ONLY
AND IS SUBJECT TO CHANGE

CST-China		All dimensions in mm	Tolerancing DIN 7167 General Tolerance ISO 2768-m	Edges per DIN ISO 13715 if not otherwise specified	Scale: 2:1
			Surface per DIN ISO 1302		Material/Semi-finished part
			Drawn	27.06.11	Gartmann
			Checked	27.06.11	Herd
			Approved	27.06.11	Schlüter
					Title: PRESSURE TRANSDUCER (THIN FILM)
					DrawingNo.: PE5000-5036
XA	E11-0089	01.07.11	Herd		Sheet 1 of 1 Size A2
Rev.	Number of ECO	Date	Name	CAD: SolidWorks	Replacement for: . Replacement through: