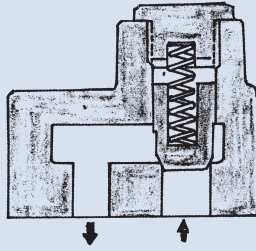
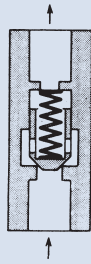


CHECK VALVE



How to order

CRG - 06 - 5

- | 1 | 2 | 3 |
|---|---|---|
| 1 | Model CRG: Sub-plate mounting CIT: Thread connection | |
| 2 | Valve size 03: 3/8" 04: 1/2" 06: 3/4" 08: 1" 10: 1-1/4" 12: 1-1/2" 16: 2" | |
| 3 | Cracking pressure (bar) 5: 0.5 50: 5 | |

Specifications

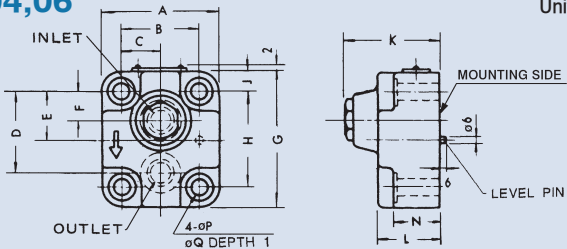
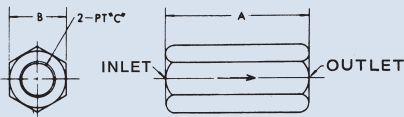
Model		Rated Flow (lpm)	Max. Operating Pressure (bar)	Cracking Pressure (bar)	Weight (kg)	
Sub-Plate Mounting	Thread Connection					
CRG-03	CIT-03	40	230	05: 0.5 50: 5	2	0.18
-	CIT-04	60			-	0.32
CRG-06	CIT-06	125			4	0.49
-	CIT-08	180			-	1.1
CRG-10	CIT-10	300			8	1.8
-	CIT-12	420			-	2.7
-	CIT-16	600	-	3.62		

Dimensions

CIT-03,04,06,08,10,12,16

CRG-03,04,06

Unit: mm



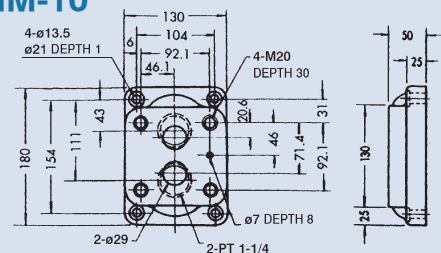
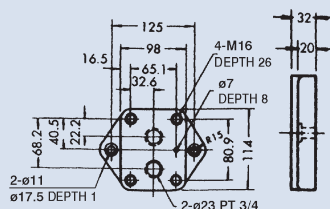
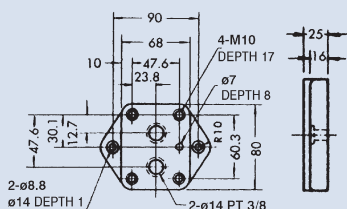
Model	A	B	C
CIT-03	70	23	3/8
CIT-04	74	29	1/2
CIT-06	95	35	3/4
CIT-08	112	46	1
CIT-10	132	55	1-1/4
CIT-12	140	65	1-1/2
CIT-16	156	80	2

Model	A	B	C	D	E	F	G	H	J	K	L	N	P	Q	Bolt size
CRG-03	68	47.6	23.8	47.6	30.1	12.7	80	60.3	10	72	55	46	11	17.5	M10 x 60L x 4pcs
CRG-06	98	65.1	32.6	68.2	40.5	22.2	114	80.9	16.5	81	53	38	17.5	26	M16 x 60L x 4pcs
CRG-10	130	92.1	46.1	71.4	46	20.6	130	92.1	19	96	65	47	21.5	32	M20 x 75L x 4pcs

CRGM-03

CRGM-06

CRGM-10



CHECK VALVE



How to order

CRG - 06 - 5 - 50

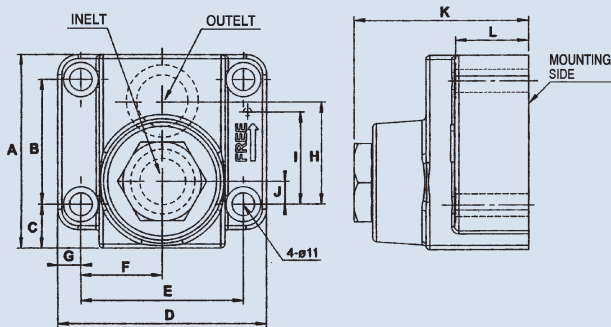
	1	2	3	4
1	Model	Sub-plate mounting		
2	Valve size	03: 3/8" (ISO 5781-AG-06-2-A)	06: 3/4" (ISO 5781-AH-08-2-A)	10: 1-1/4" (ISO 5781-AJ-10-2-A)
3	Cracking pressure (bar)	5: 0.5	50: 5	
4	ISO standard			

Specifications

Model	Rated Flow (lpm)	Max. Operating Pressure (bar)	Cracking Pressure (bar)	Weight (kg)
CRG-03	40	250	5: 0.5 50: 5	2.2
CRG-06	125			3.2
CRG-10	300			6.5

Dimensions

CRG-03-✱-50, CRG-06-✱-50

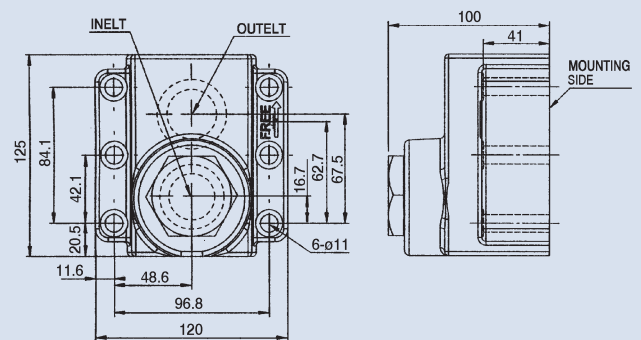


Model	A	B	C	D	E	F
CRG-03-✱-50	73	42.9	18	89	66.7	33.4
CRG-06-✱-50	94	60.3	21.5	102	79.4	39.7

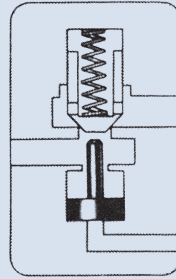
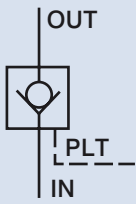
Model	G	H	I	J	K	L
CRG-03-✱-50	11.2	35.7	31.8	7	68	33
CRG-06-✱-50	11.3	49.2	44.5	11.1	85	35

CRG-10-✱-50

Unit: mm



PILOT OPERATED CHECK VALVE



How to order

CPD - T - 06 - E - 50

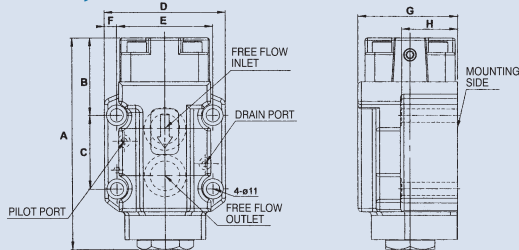
- | 1 | 2 | 3 | 4 | 5 |
|---|---|---|---|---|
| 1 | Model | | | |
| 2 | Mounting type G: Sub-plate mounting T: Thread connection F: Flange connection | | | |
| 3 | Valve size 03: 3/8" 06: 3/4" 10: 1-1/4" 16: 2" | | | |
| 4 | E: External drain Omit: Internal drain | | | |
| 5 | Cracking pressure | | | |

Specifications

Model			Max. Operating Pressure (bar)	Cracking Pressure (bar)	Rated Flow (lpm)	Weight(kg)		
Sub-Plate Mounting	Thread Connection	Flange Connection				G type	T type	F type
CPDG-03	CPDT-03	-	250	5: 0.5	50	5	3	-
CPDG-06	CPDT-06	-		35: 3.5	125	6.5	5.8	-
CPDG-10	CPDT-10	CPDF-10		50: 5	320	12	11.4	11.4
-	-	CPDF-16			500	-	-	30

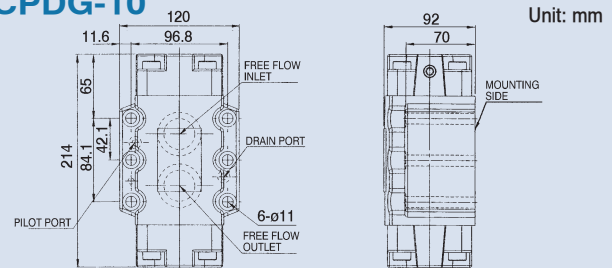
Dimensions

CPDG-03, CPDG-06

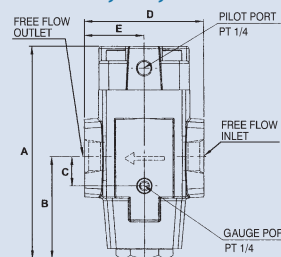


Model	A	B	C	D	E	F	G	H
CPDG-03	148	52.6	42.9	91	66.7	12.2	70	61
CPDG-06	174	63.4	60.3	100	79.4	10.3	82	46

CPDG-10

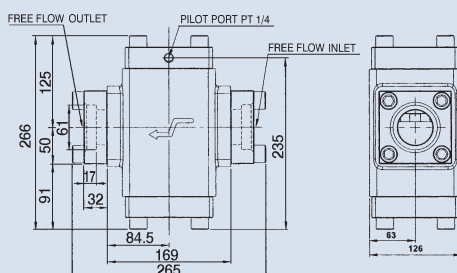


CPDT-03,06,10

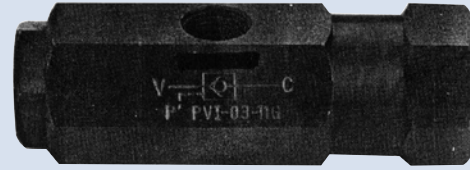
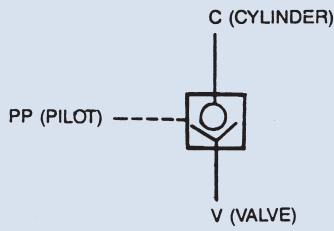


Model	A	B	C	D	E	F	G	H
CPDT-03	148	74	19	80	40	59	62	31
CPDT-06	174	84	24	98	49	72	75	37.5
CPDT-10	200	90.5	22.5	140	70	92.5	92	46

CPDF-16



IN-LINE PILOT OPERATED CHECK VALVE



How to order

PCVI - 03 - T

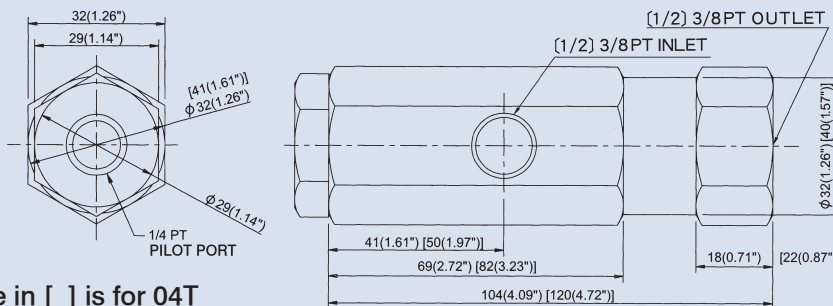
- | 1 | 2 | 3 |
|---|---------------|----------------------|
| 1 | Model | |
| 2 | Valve size | 03: 3/8" 04: 1/2" |
| 3 | Mounting type | T: Thread connection |

Specifications

Model	Max. Operating Pressure (bar)	Cracking Pressure (bar)	Max. Flow (lpm)	Weight (kg)
PCVI-03T	250	0.5	30	0.76
PCVI-04T			40	1.2

Dimensions

PCVI-03,04T

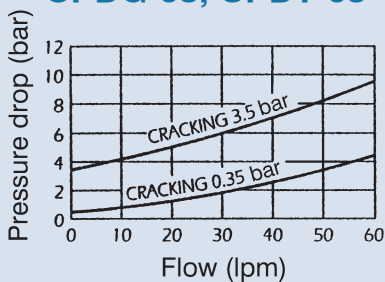


Unit: mm
(inch)

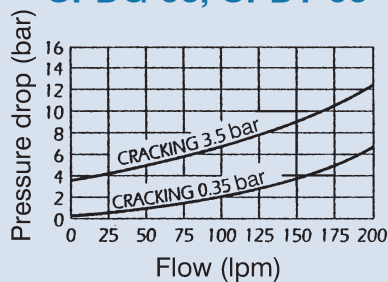
Remark: The size in [] is for 04T

Performance curves

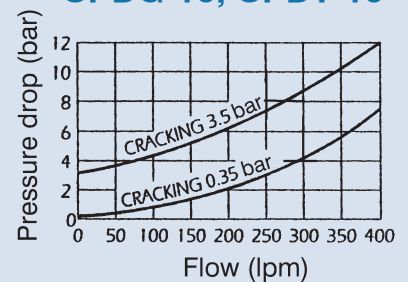
CPDG-03, CPDT-03



CPDG-06, CPDT-06



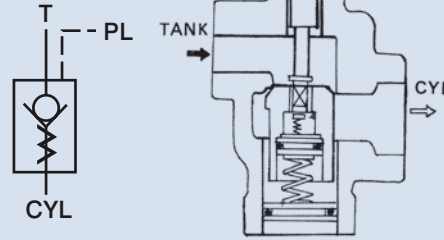
CPDG-10, CPDT-10



PREFILL VALVE

FEATURES:

- Material is FC30, Max. working pressure 3400psi.
- Both 180 and 90 degrees connection available.
- Min. pilot pressure required is 1/3 working pressure.
- Check operated in two stages to preclude shock.



How to order

SG - 24 - ✱

1	2	3
1	Model	
2	Valve size	16: 2" 24: 3" 32: 4" 48: 6"
3	None: 180°	L: 90°

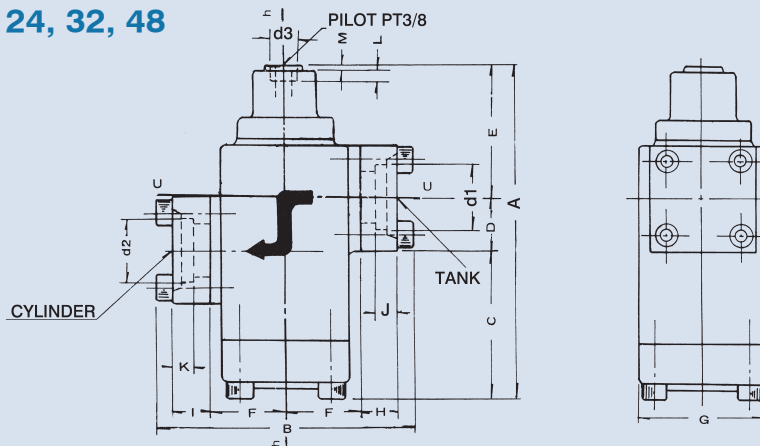
Specifications

Model	Maximum Pressure (bar)	Max. Flow(lpm)		Operating Flow(lpm)		Cracking Pressure (bar)	Weight (kg)
		No Pilot	Pilot	No Pilot	Pilot		
SG-16	250	300	450	300 ± 70M	450 ± 70M	0.12	30
SG-24		600	900	600 ± 150M	900 ± 150M	0.14	55
SG-32		1100	1600	1100 ± 300M	1600 ± 300M	0.16	100
SG-48		2200	3200	2200 ± 600M	3200 ± 600M	0.16	240

Dimensions

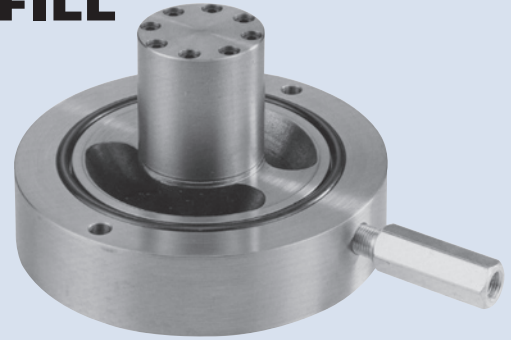
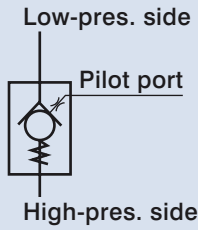
SG-16, 24, 32, 48

Unit: mm



Model	A	B	C	D	E	F	G	H	I	J	K	L	M	d1	d2	d3
SG-16	322	242	136	53	133	70	120	35	24	20	20	21	12	61	61	PT 3/8
SG-24	396	294	168	90	160	92	150	30	44	13	21	28	12	95	95	PT 3/8
SG-32	556	358	215	96	255	120	194	30	44	28	28	25	12	116	138	28
SG-48	727	478	285	145	296	165	310	67	37	40	18	21	12	24	167	28

FLANGE-CLAMPED TYPE PREFILL VALVE



How to order

SVF - 100

1 2

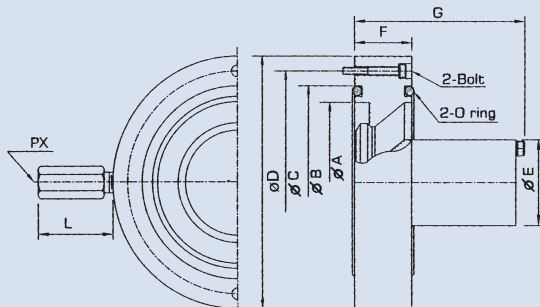
1 Model SVF: Steel body SCM4 (Max. 400 bar) SCF: Ductile iron body FCD50 (Max. 250 bar)

2 Valve size

Specifications

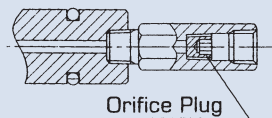
Model	Port size Inch	Max. Flow (lpm)	Max. Operating Pressure (bar)	Pilot Ratio	Flange Bolts		Pipe size	Weight (kg)	
					Number	Nor. Diameter			
SVF-32	2	160	400	3.6	4	M16	2B	1.3	
SVF-40	2-1/2	250		3.3	4	M20	2.5B	2.2	
SVF-50	3	400		3.8	6	M16	3B	2.9	
SVF-63	3-1/2	630		4.2	8	M16	3.5B	4.5	
SVF-80	4	1000		4.3	8	M20	4B	6.2	
SVF-100	5	1600		4.3	10	M25	5B	12.3	
SVF-125	8	2500		4.3	16	M25	8B	23	
SVF-160	10	4000		4.2	16	M30	10B	50	
SVF-200	12	7000		4.1	20	M30	12B	85	
SVF-250	15	15000		4.4	24	M30	16B	156	
SCF-32	2	160		250	3.6	4	M16	2B	1.3
SCF-50	3	400			3.8	6	M16	3B	2.9
SCF-63	3-1/2	630	4.2		8	M16	3.5B	4.5	
SCF-80	4	1000	4.3		8	M20	4B	6.2	
SCF-100	5	1600	4.3		10	M25	5B	12.3	
SCF-125	8	2500	4.3		16	M25	8B	23	

Dimensions / Performance curves



Pilot port adaptor

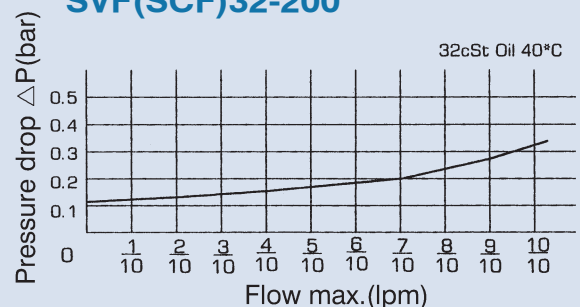
Unit: mm



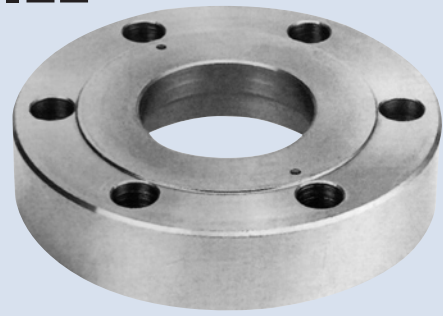
Model	Orifice	Plug
SVF (SCF)-32, 40, 50	0.7mm	PT1/8"
SVF (SCF)-63	0.8mm	
SVF (SCF)-80	1.0mm	PT1/4"
SVF (SCF)-100	1.2mm	
SVF (SCF)-125, 160	1.5mm	PT1/4"
SVF-200	1.8mm	

Model	øA	øB	øC	øD	øE	F	G	L	PX	Fixed bolt	O-ring		
SVF-32, SCF32	48	63	-	82	33	28	70	62	PT 1/4"	-	1517-6		
SVF-40	56.5	73	91	108	39	28	71.5			M4 x 30	1517-9		
SVF-50, SCF50	72	90	112	128	42	29	91			M4 x 30	1517-14		
SVF-63, SCF63	87	105	125	143	50	33.5	106			M5 x 35	P95		
SVF-80, SCF80	108	130.5	150	169	57	38.5	115			M5 x 40	P120		
SVF-100, SCF100	130	155	185	210	70	44	150			M6 x 45	P145		
SVF-125, SCF125	170	200	226	248	89	51	195			M6 x 60	P185		
SVF-160	218	250	284	310	120	70	230			70	PT 3/8"	M8 x 70	P235
SVF-200	272	310	355	390	145	95	300			85	PT 1/2"	M10 x 95	P295
SVF-250	350	398	445	490	176	110	390			85	PT 1/2"	M12 x 115	P375

SVF(SCF)32-200



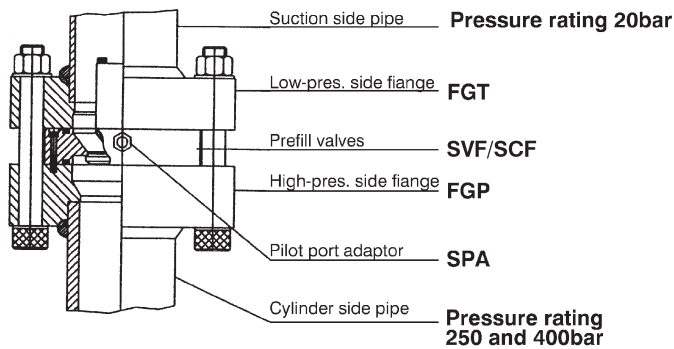
FLANGE-CLAMPED TYPE PREFILL VALVE



How to order

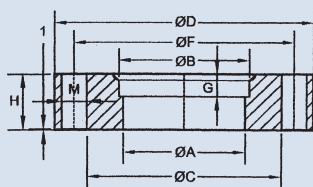
FGP - 100 - 2 - M25 - 5B

	1	2	3	4	5
1	Model	FGP: High-pres. Side flange	FGT: Low-pres. Side flange		
2	Valve size				
3	Pressure range	2: 250 bar	4: 400 bar		
4	Normal bolt size				
5	Normal pipe diameter				

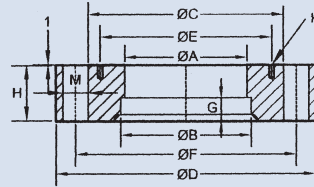


Dimensions

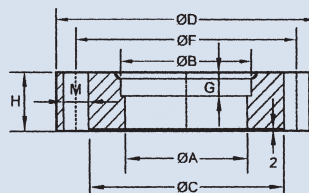
FGT



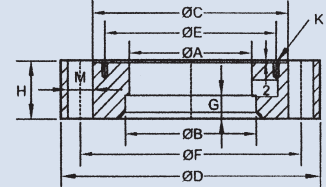
FGP



FGT



FGP

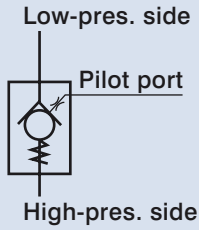


Unit: mm

Model	øD	øF	øB	øA	øE	øC	H	G	K	M
FGP-32-M16/2B FGT-32-M16/2B	135	103.2	60.25	48	-	82	33	15	-	4-ø18
FGP-40-M20/2.5B FGT-40-M20/2.5B	165	130	77	57	91	107	42	15	2-M4	4-ø22
FGP-50-M16/3B FGT-50-M16/3B	180	146	90	72	112	128	42	15	2-M4	6-ø18
FGP-63-M16/3.5B FGT-63-M16/3.5B	195	161	102.2	87	125	143	52/47	15	2-M5	8-ø18
FGP-80-M20/4B FGT-80-M20/4B	230	192	115.2	108	150	169	52/47	15	2-M5	8-ø22
FGP-100-M25/5B FGT-100-M25/5B	280	239	141	130	185	210	68/62	25	2-M6	10-ø27

Model	øD	øF	øB	øA	øE	øC	H	G	K	M
FGP-125-M25/8B FGT-125-M25/8B	352	300	219.2	168	226	249	77/67	25	2-M6	16-ø27
FGP-160-M30/10B FGT-160-M30/10B	422	367	273.1	218	284	311	87/77	30	2-M6	16-ø33
FGP-200-M30/12B FGT-200-M30/12B	510	442	324	270	355	391	97/87	30	2-M10	20-ø33
FGP-250-M30/16B FGT-250-M30/16B	630	555	407	350	445	492	107/97	30	2-M12	24-ø33

FLANGE-CLAMPED TYPE PREFILL VALVE



PF-80



PF-80F



How to order

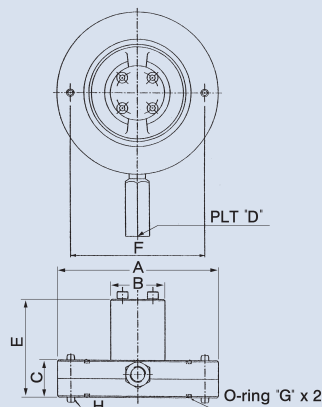
PF - 80 - F - W

- | | | | |
|---|---------------|-----------------|--|
| 1 | 2 | 3 | 4 |
| 1 | Model | | |
| 2 | Valve size | | |
| 3 | Mounting type | F: Flange | None: Standard |
| 4 | Flange type | None: No flange | P: P port flange T: T port flange W: P&T port flange |

Specifications

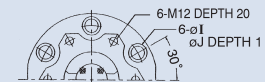
Model	Port Size (Inch)	Max. Operating Pressure (bar)	Max. Flow (lpm)	Cracking Pressure (bar)	Weight (kg)
PF-80 / PF-80F	3	250	400	0.12	2.8 / 8
PF-90 / PF-90F	3-1/2	250	630	0.12	3.8 / 11.3
PF-100 / PF-100F	4	250	1000	0.12	6 / 14.5
PF-125 / PF-125F	5	250	1600	0.12	10.8 / 23.8
PF-150 / PF-150F	6	250	2500	0.13	23.5 / 37
PF-200	8	250	4000	3	50

Dimensions



Model	A	B	C	D	E	F	G	H
PF-80	128	43	29	PT1/4	78	106	G80	6
PF-90	143	50	35	PT1/4	87	125	G100	6
PF-100	169	56	38.5	PT1/4	103	145	G115	6
PF-125	212	69	44	PT1/4	118	180	G140	6
PF-150	248	89	72	PT3/8	181	220	G180	10
PF-200	310	115	70	PT1/2	233	284	P235	10

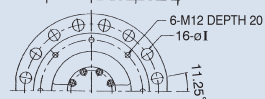
PF-80,90,100F



PF-125F



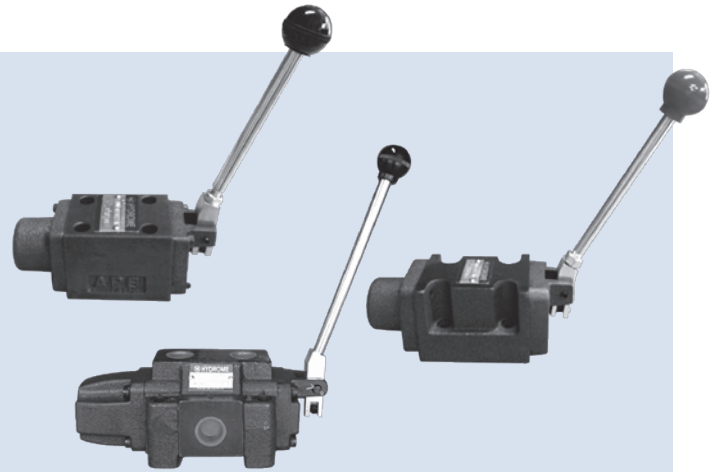
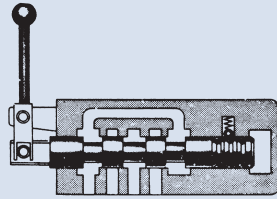
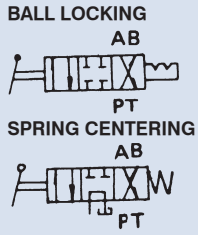
PF-150F



Unit: mm

Model	A	B	C	D	E	F	G	H	I	J
PF-80F	180	43	65	PT1/4	94	146	G80	142	18	26
PF-90F	200	50	70	PT1/4	119	165	G100	160	20	29
PF-100F	230	56	71	PT1/4	132.5	191	G115	170	22	32
PF-125F	270	69	85	PT1/4	165	230	G140	200	22	-
PF-150F	300	91	105	PT3/8	204	260	G180	225	22	-

MANUALLY OPERATED DIRECTIONAL VALVE



How to order

DM G - 02 - 3C6 - W

1	2	3	4	5
1	Model			
2	Mounting type	G: Sub-plate mounting T: Thread connection		
3	Valve size			
4	Valve function Same as solenoidvalve DSG series			
5	Centered locking W: Spring centering O: Ball locking			

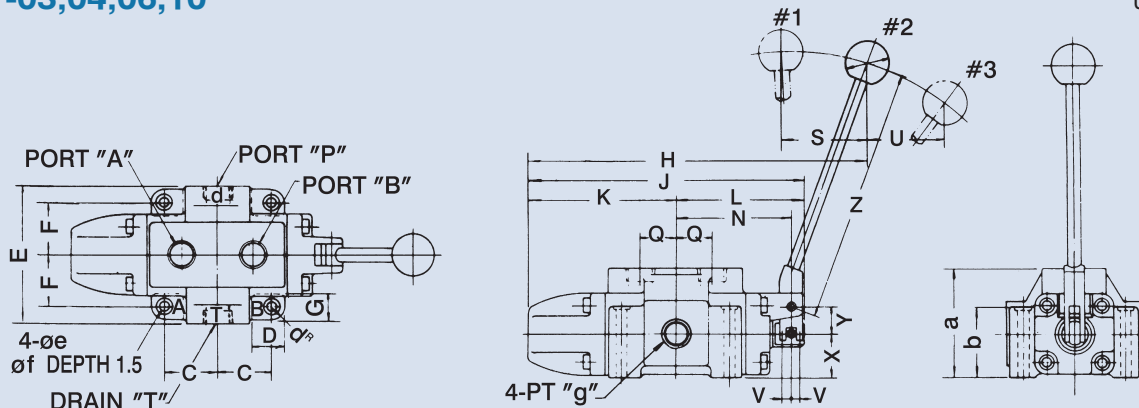
Specifications

Model		Max. Operating Pressure(bar)	Max. Back Pressure (bar)	Max. Flow (lpm)	Weight (kg)		Bolt size DMG	
Sub-Plate Mounting	Thread Connection				DMG	DMT		
DMG-02	-	250	140	40	1.5	1.5	M5 x 45L	
DMG-03	DMT-03		100	70	3.3	4	M6 x 35L	
-	DMT-04		140		120	-	7.5	-
DMG-06	DMT-06			350	12.5	12	M12 x 55L	
-	DMT-10			500	-	23	-	

Dimensions

DMT-03,04,06,10

Unit: mm



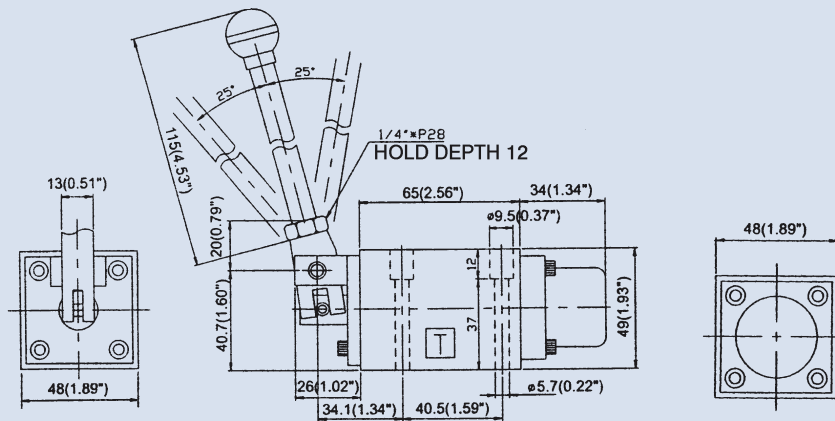
Model	C	D	E	F	G	H	J	K	L	N	Q	S	U	V	X	Y	Z	a	b	d	e	f	g(Pt)
DMT-03	27	18	74	23	10	246	170	90	80	73.5	23	46	42	5	41	22	200	84.5	74	6	6M	-	3/8
DMT-04	45	33	109	40.5	18	280	222	116	106	96	25	75	60	10	37	19	240	90	55	9	9	14	1/2
DMT-06	50	30	130	49	20	320	255	137	118	107	33.5	86	76	9	40	25	250	100	65	12	11	17.5	3/4
DMT-10	67	40	162	62.5	33	402	320	173	147	135	40	102	90	12.5	50	35	270	124	82	15	13.5	21	1-1/4

MANUALLY OPERATED DIRECTIONAL VALVE

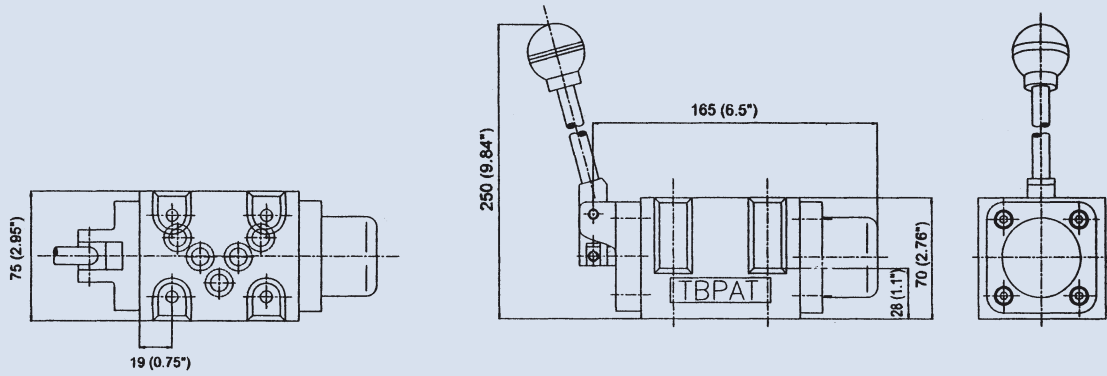
Dimensions

DMG-02 (ISO CETOP 3, NFPA D03, DIN NG 6)

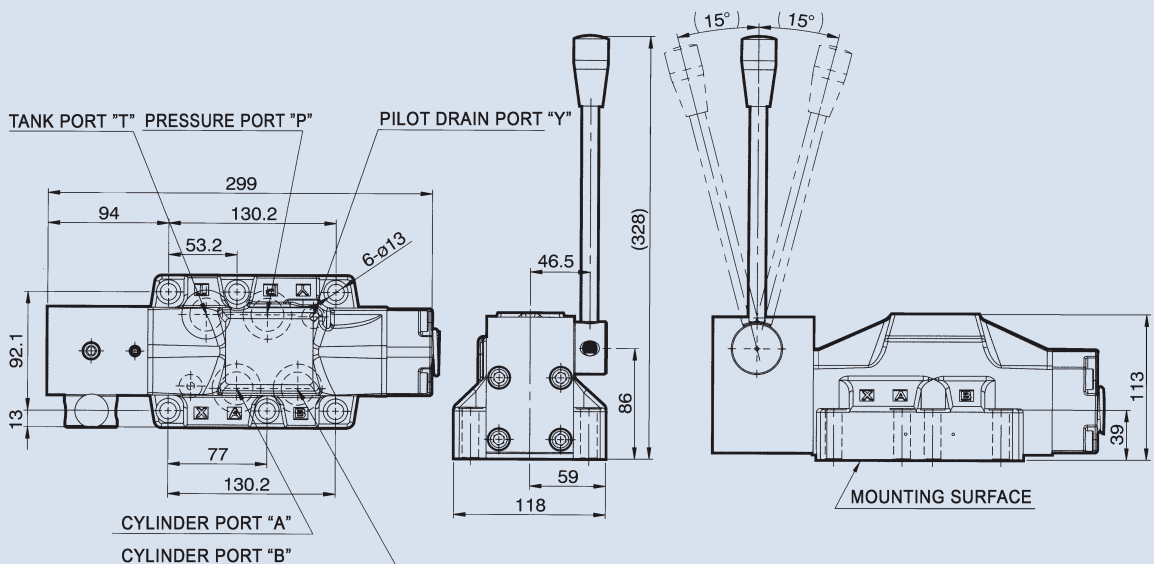
Unit: mm
(inch)



DMG-03G (ISO CETOP 5, NFPA D05, DIN NG 10)

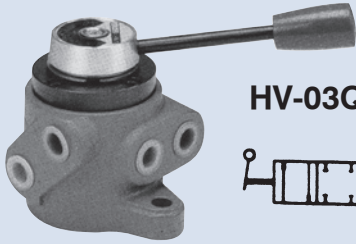


DMG-06 (ISO CETOP 8, NFPA D08, DIN NG 25)



MANUALLY OPERATED DIRECTIONAL VALVE

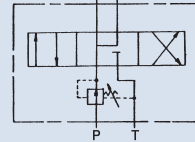
HV-03T



HV-03QT



DGH-T03

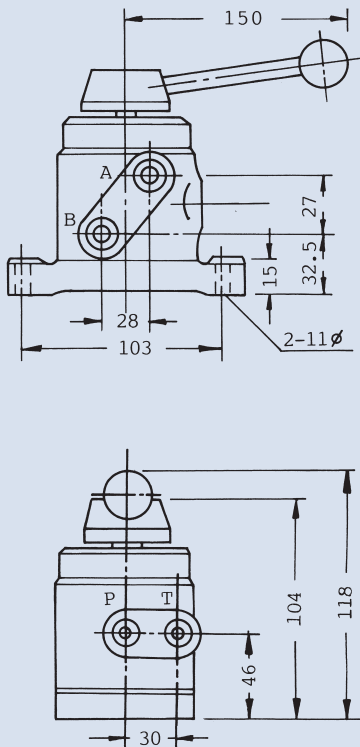


Specifications

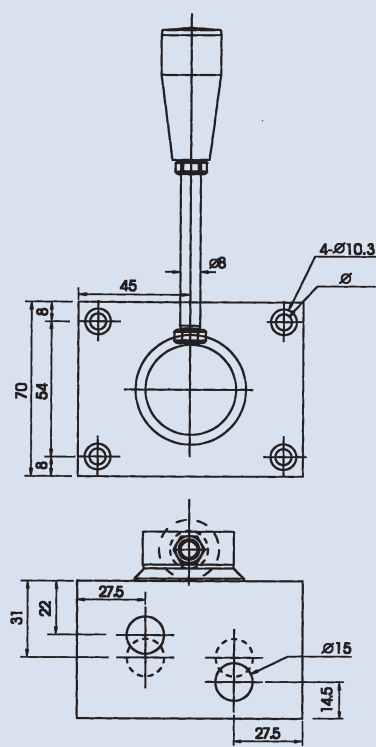
Model	Port size (PT)	Max. Pressure (bar)	Flow rated (lpm)	Weight (kg)
HV-03T	3/8"	100	50	3.1
HV-03QT	3/8"	100	30	2.62
DGH-T03	1/4"	70	20	2.8

Dimensions

HV-03T

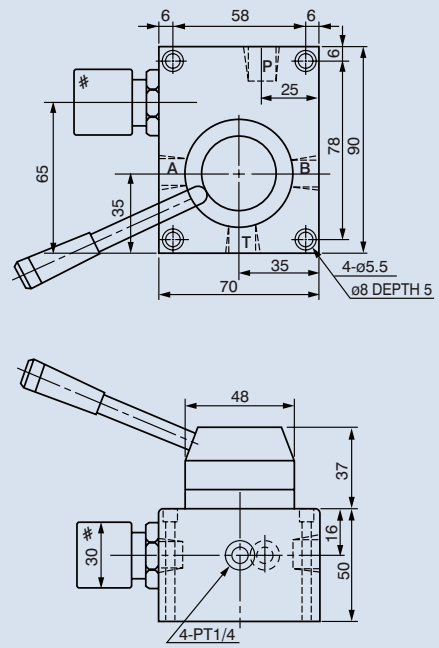


HV-03QT

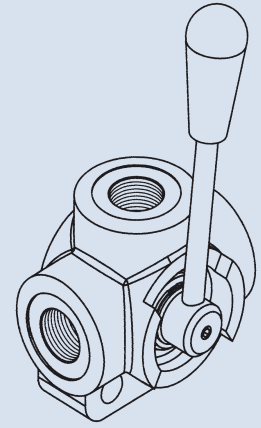
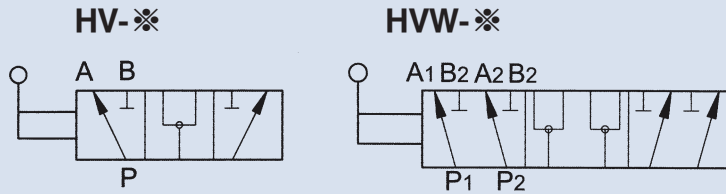


DGH-T03

Unit: mm



MANUALLY OPERATED DIRECTIONAL VALVE



How to order

HV HVW - 380

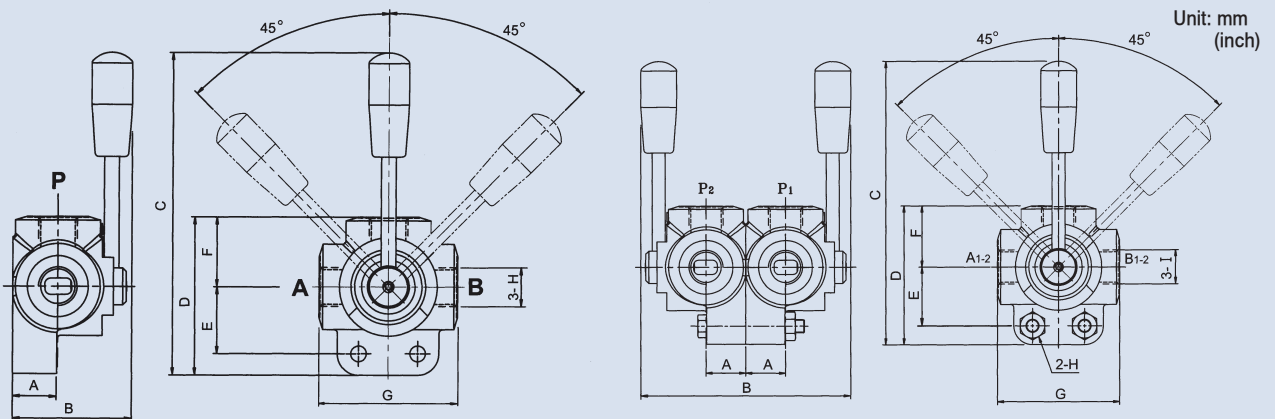
1 2

1	Model	HV single lever	HVW double lever		
2	Valve size	380: G3/8"	120: G1/2"	340: G3/4"	100: G1"

Specifications

Model	Max. Pressure (bar)	Max. Flow (lpm)	Weight (kg)	
			HV	HVW
HV HVW -380	315	50	1.4	2.8
HV HVW -120	280	80		
HV HVW -340	220	120	1.8	3.6
HV HVW -100	220	180		

Dimensions



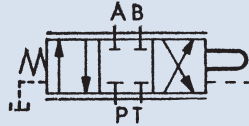
Model Size	HV-380	HV-120	HV-340	HV-100
A	24 (0.95")		26.5 (1.04")	
B	64.5 (2.54")		68.1 (2.68")	
C	173.4 (6.83")		180.7 (7.11")	
D	85 (3.35")		99.4 (3.91")	
E	36 (1.42")		42 (1.65")	
F	37.5 (1.47")		44.6 (1.77")	
G	75 (2.95")		90 (3.54")	
H	G3/8	G1/2	G3/4	G1

Model Size	HVW-380	HVW-120	HVW-340	HVW-100
A	24 (0.95")		26.5 (1.04")	
B	128.9 (5.08")		136.3 (5.37")	
C	173.4 (6.83")		180.7 (7.11")	
D	85 (3.35")		99.4 (3.91")	
E	36 (1.42")		42 (1.65")	
F	37.5 (1.47")		44.6 (1.76")	
G	75 (2.95")		90 (3.54")	
H	M8		M10	
I	G3/8	G1/2	G3/4	G1

SERVO CONTROL VALVE

FEATURES:

- Servo control accuracy up to $\pm 0.005\text{mm}$.
- Actuated by hydraulic system.
- The unit is applicable for plano-miller, milling machine, etc.
- Precision structure. Long service life.
- Various models for choice.



How to order

SA - G 03

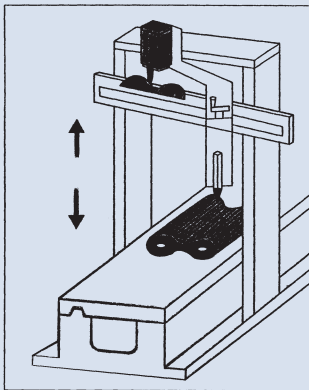
1 2 3

- | | |
|---|---|
| 1 | Model SA: With cover and long shaft SB: Without cover and short shaft |
| 2 | Mounting type G: Sub-plate mounting |
| 3 | Valve size |

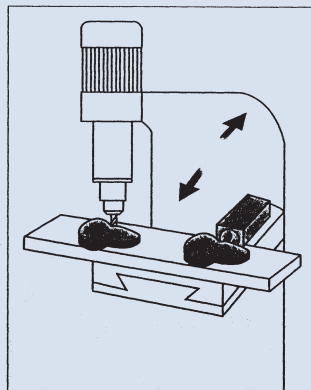
Specifications

Model	Max. Pressure (bar)	Oper. Pressure (bar)	Max. Back Pressure (bar)	Spool Shift mm	Max. Flow (lpm)	Weight (kg)
SA, SB-G02	70	12~15	20	± 2	70	2.5
SA, SB-G03					90	3.5
SA, SB-G04					110	4.5

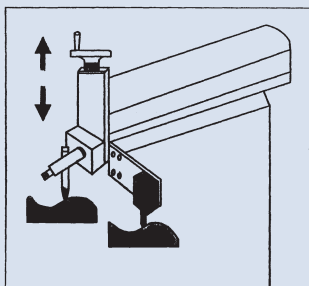
Examples of copy machining



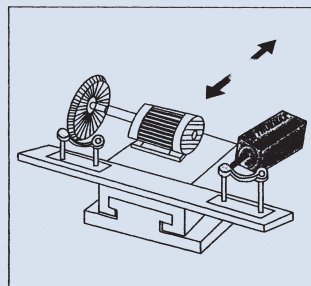
The servo control valve operated on a planomiller.



The servo control valve operated on a milling machine.

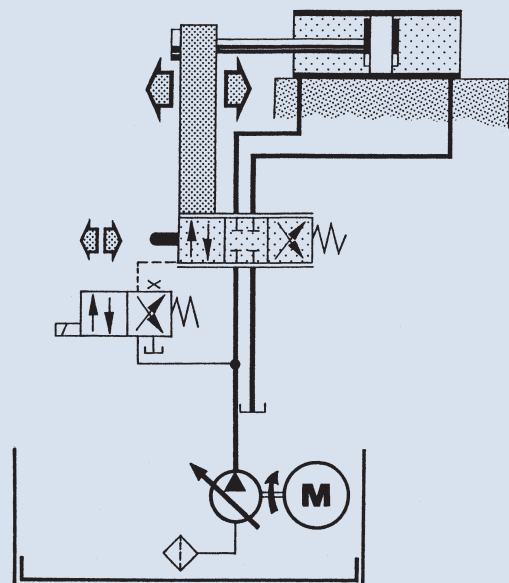


The servo control valve operated on a shaping machine.



The servo control valve operated on a special purpose polishing machine.

Basic hydraulic circuit

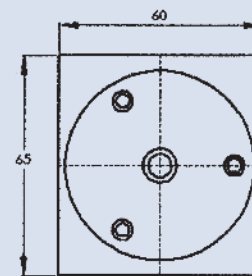
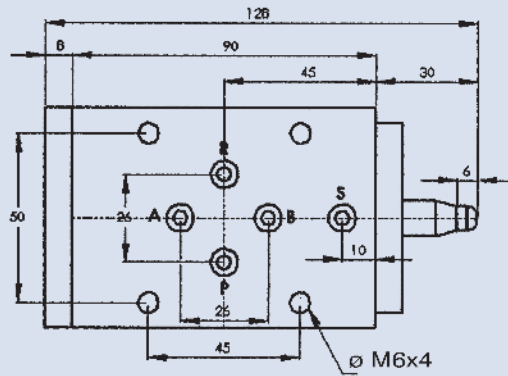


SERVO CONTROL VALVE

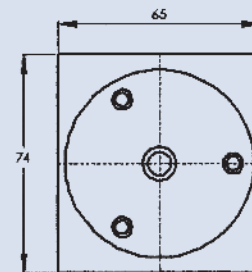
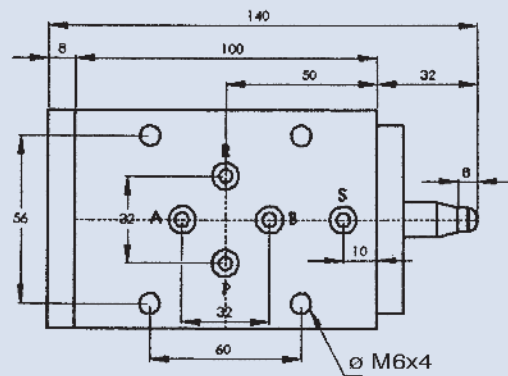
Dimensions

Unit: mm

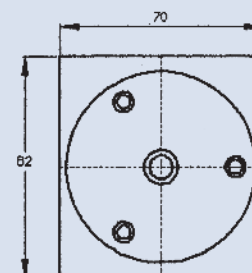
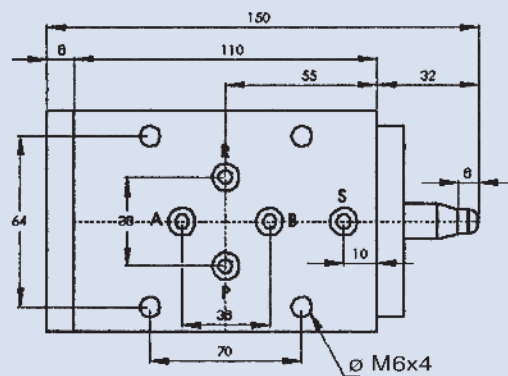
SA-02



SA-03



SA-04



CAM OPERATED DIRECTIONAL VALVE



How to order

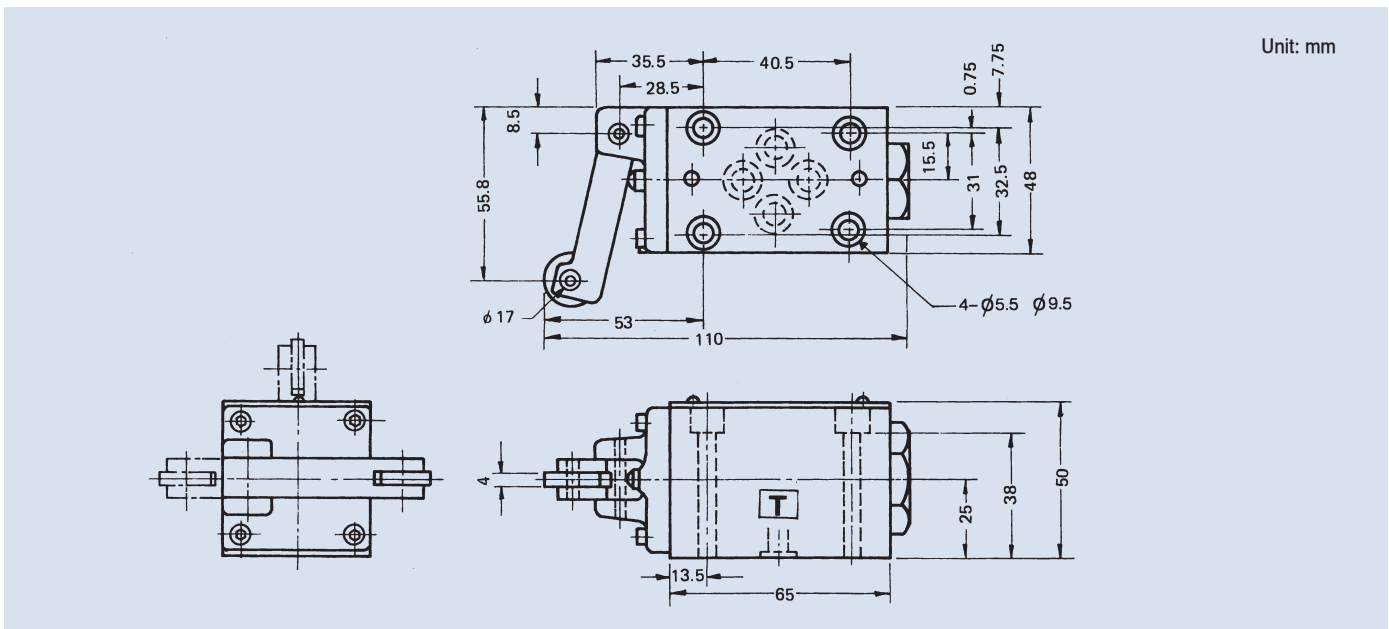
DC G - 01 - 2B2

1	2	3	4
1	Model		
2	Mounting type G: Sub-plate mounting T: Thread connection		
3	Valve size DCG-01: 1/8" (ISO CETOP 3, NFPA D03, DIN NG 6) DCT-01: PT 1/8"		
4	Spool type 2B2 2B3 2B8		

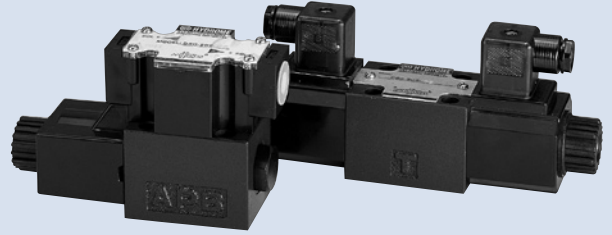
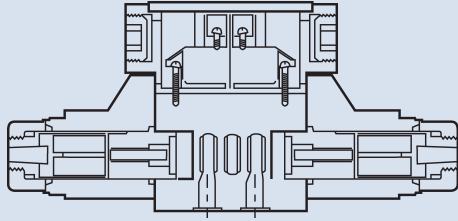
Specifications

Model		Max. Operating Pressure(bar)	Rated Flow (lpm)	Weight (kg)	Bolt Size
Sub-Plate Mounting	Thread Connection				
DCG-01	DCT-01	250	30	1.2	M5 x 50L

Dimensions



SOLENOID OPERATED DIRECTIONAL VALVE



How to order

DSG - 02 - 3C2 - A2 - N

	1	2	3	4	5
1	Model				
2	Nominal valve size 1/4" (ISO CETOP 3, NFFA D03, DIN NG 6)				
3	Spool type				
4	Coil voltage A11: AC110V (50/60HZ) A22: AC220V (50/60HZ) A24: AC240V (50HZ) A38: AC380V (50HZ) D1: DC12V D2: DC24V R1: R110V (50/60HZ) R2: R220V (50/60HZ)				
5	No symbol: Joint box type N: Din connector type				

Specifications

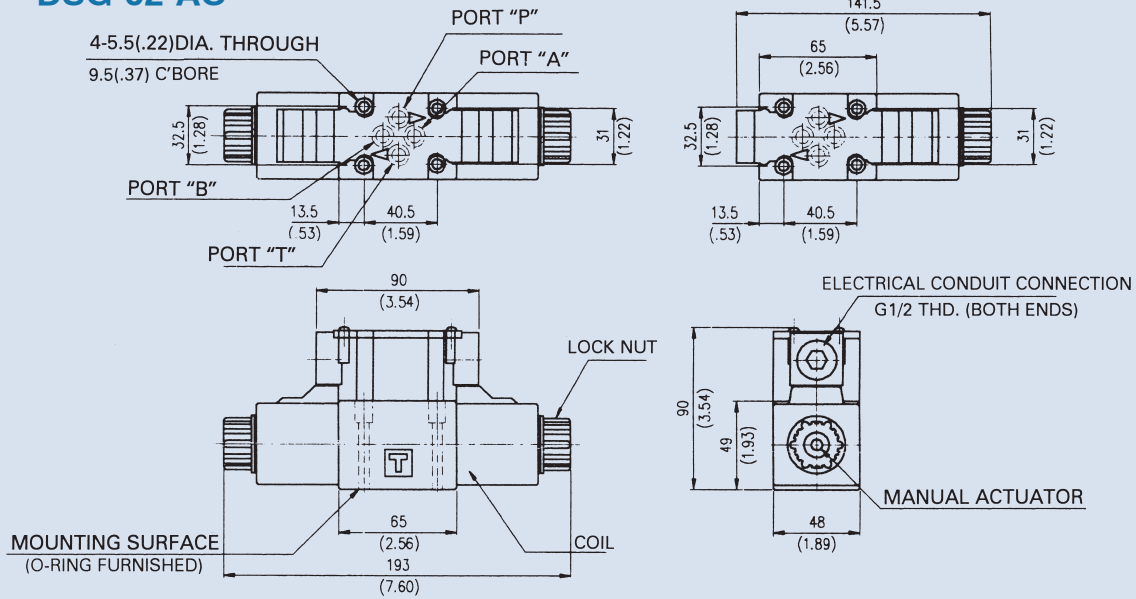
ITEM	Model Numbers	Spool Type	Rated Flow lpm (gpm)		
			AC	DC	R
1	DSG-3C2		50 (13.2)		70 (18.5)
2	DSG-3C4				
3	DSG-3C5		30 (7.9)		70 (18.5)
4	DSG-3C10				
5	DSG-3C60		30 (7.9)		50 (13.2)
6	DSG-3C3				
7	DSG-2D2				
8	DSG-2D3		40 (10.6)		50 (13.2)
9	DSG-2B3				
10	DSG-2B2		40 (10.6)		70 (18.5)
11	DSG-2B8		40 (10.6)		70 (18.5)

SOLENOID OPERATED DIRECTIONAL VALVE

Dimensions

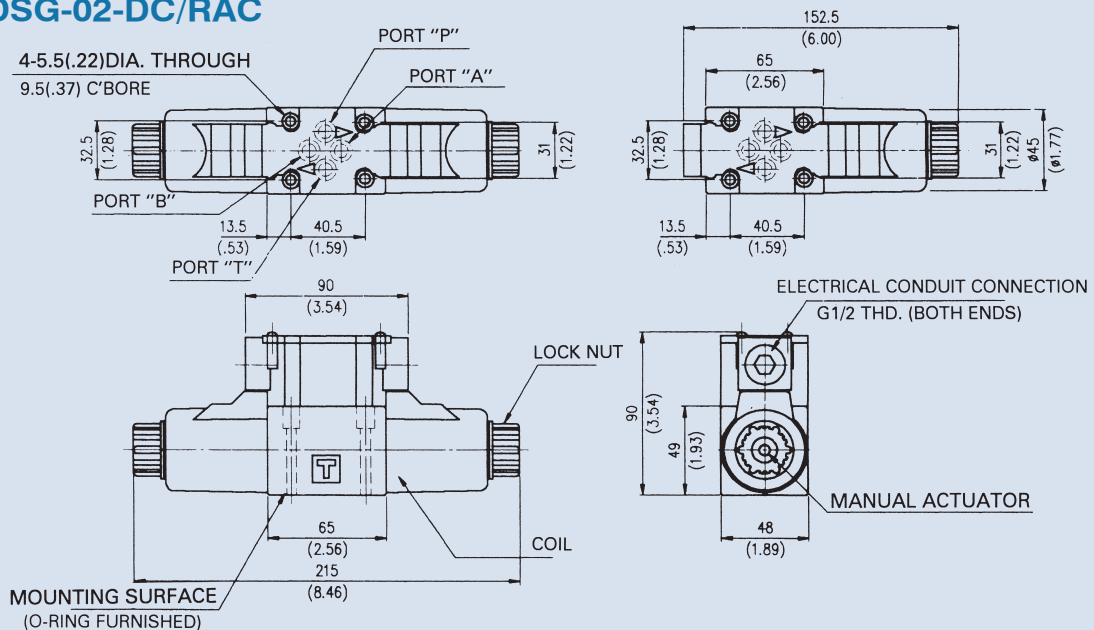
DSG-02-AC

Unit: mm
(inch)



Parts name	Description	Tightening torque
Attachment SOC. HD. cap screw	M5 x 45Lg x 4pcs	5~7Nm
Attachment SOC. HD. cap screw	10-24UNC x 1-3/4"Lg x 4pcs	43~60in. lbs

DSG-02-DC/RAC



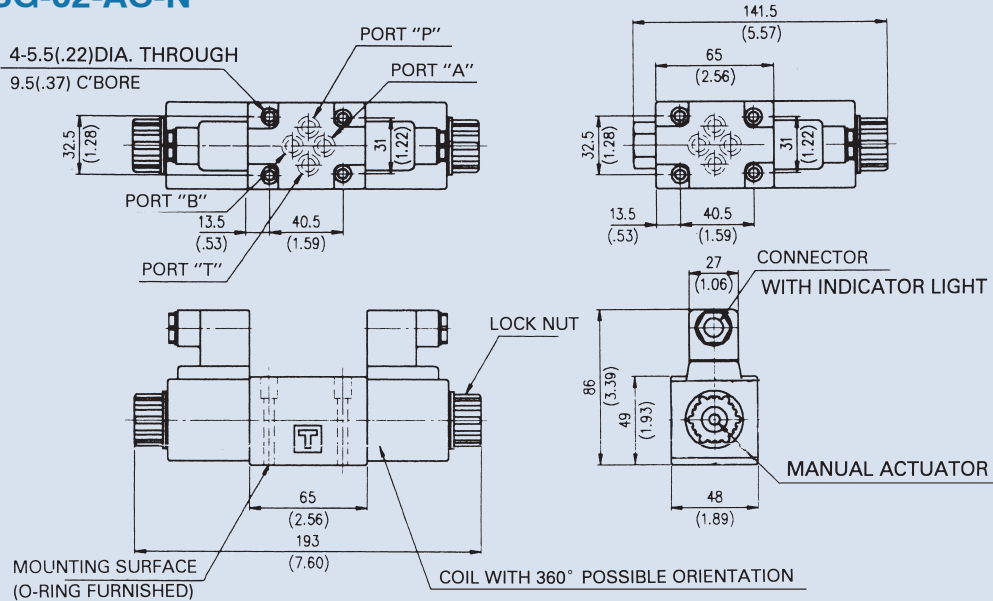
Parts name	Description	Tightening torque
Attachment SOC. HD. cap screw	M5 x 45Lg x 4pcs	5~7Nm
Attachment SOC. HD. cap screw	10-24UNC x 1-3/4"Lg x 4pcs	43~60in. lbs

SOLENOID OPERATED DIRECTIONAL VALVE

Dimensions

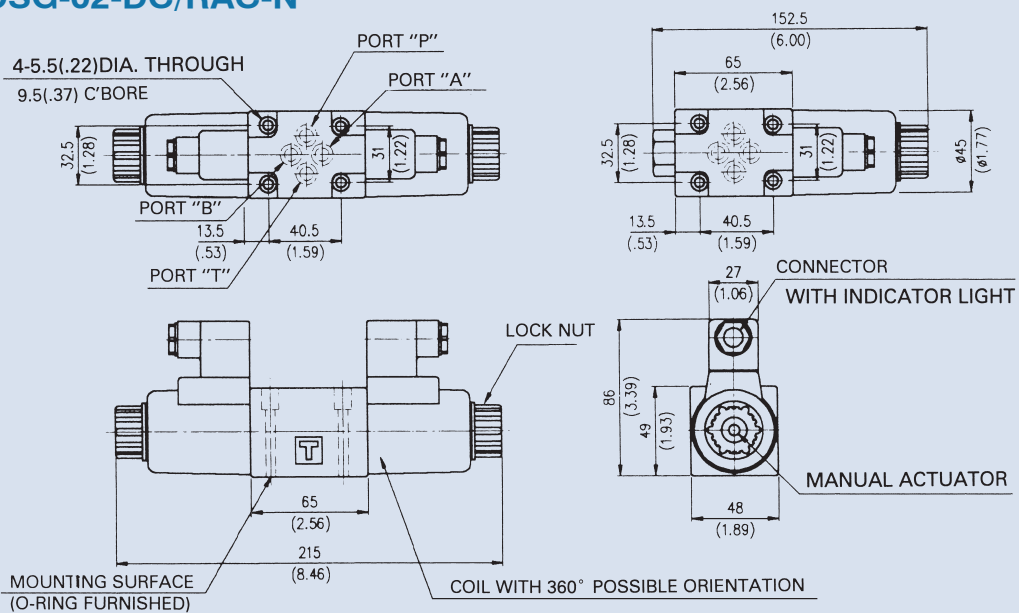
DSG-02-AC-N

Unit: mm
(inch)



Parts name	Description	Tightening torque
Attachment SOC. HD. cap screw	M5 x 45Lg x 4pcs	5~7Nm
Attachment SOC. HD. cap screw	10-24UNC x 1-3/4"Lg x 4pcs	43~60in. lbs

DSG-02-DC/RAC-N



Parts name	Description	Tightening torque
Attachment SOC. HD. cap screw	M5 x 45Lg x 4pcs	5~7Nm
Attachment SOC. HD. cap screw	10-24UNC x 1-3/4"Lg x 4pcs	43~60in. lbs

SOLENOID OPERATED DIRECTIONAL VALVE

FEATURES:

- Plug-in solenoids for easier to change to coils.
- Easier maintenance with all spools and bodies are interchangeable by keeping the same limitation of internal leakage.
- Low noise level while all the movable parts are submerged in the working oil cushion impact reduces the operation noise.
- High voltage test up to 1500 v/min.
- Insulation resistance exceeds 100MΩ.
- Momentary signal for shifting action at approx. 0.1 second.
- Longer service life for durability to 30,000,000 spool shifts.
- High class insulation coil for high temperature resistance up to 180 °C.

Specifications

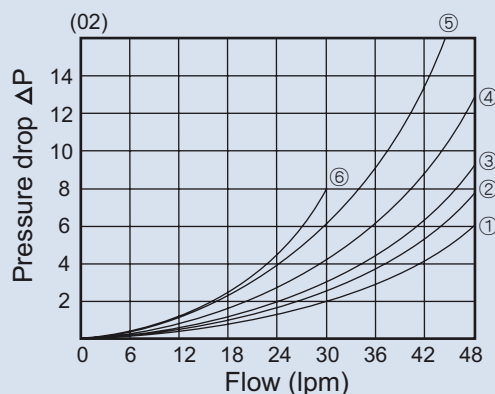
Max. pressure	P.A.B.	315 bar (4600psi)	
Max. back pressure	T	70~160 bar (1400~2300psi)	
Weight kg (lb)	Single solenoid	AC 1.5 (3.3)	DC(R) 1.6 (3.5)
	Double solenoid	AC 1.85 (4)	DC(R) 2 (4.4)
Maximum frequency of operation (cycle/min)		150	
Ambient temperature range recommended		5~60 °C (67~166 °F)	
Using oil (cst)		20~300	
Filtration (micron)		25	

Performance curves

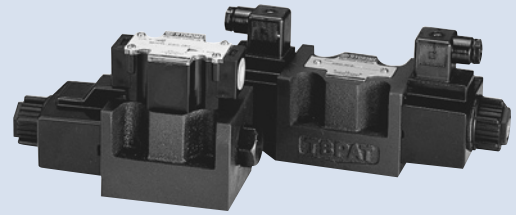
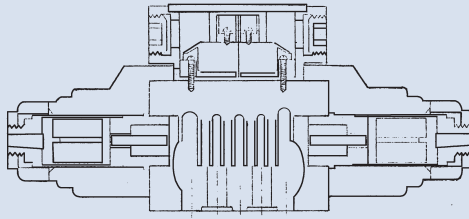
Performance chart

	P→A	P→B	A→T	B→T	P→T
3C2	③	③	③	③	—
3C3	①	①	③	③	④
3C4	③	③	①	①	—
3C5	①	⑥	③	⑤	④
3C60	⑥	⑥	⑤	⑤	④
3C10	③	③	③	①	—
2D2	②	②	⑤	⑤	—
2D3	①	①	③	③	—
2B2	②	②	⑤	⑤	—
2B3	④	③	①	④	—

Test fluid viscosity: 35 cst
Test temperature: 50 °C (122 °F)



SOLENOID OPERATED DIRECTIONAL VALVE



How to order

DSG - 03 - 3C2 - A2 - N

1	2	3	4	5
1	Model			
2	Nominal valve size 3/8" (ISO CETOP 5, NFPA D05, DIN NG 10)			
3	Spool type			
4	Coil voltage A11: AC110V (50/60HZ) A22: AC220V (50/60HZ) A24: AC240V (50HZ) A38: AC380V (50HZ) D1: DC12V D2: DC24V R1: R110V (50/60HZ) R2: R220V (50/60HZ)			
5	No symbol: joint box type N: Din connector type			

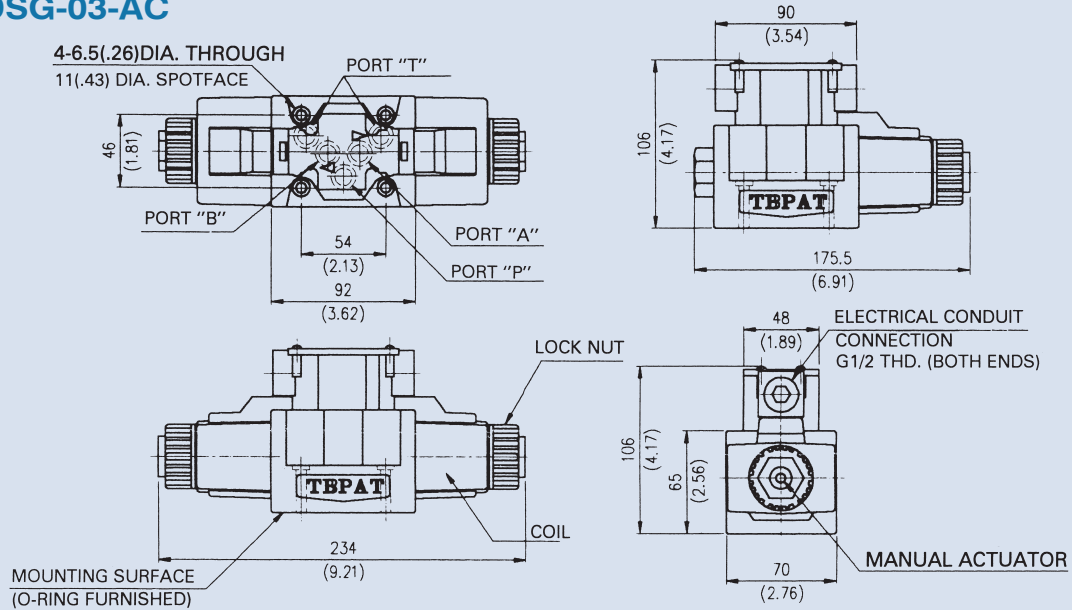
ITEM	Model Numbers	Spool Type	Rated Flow lpm (gpm)	
			AC / DC / R	Max. Flow lpm (gpm)
1	DSG-3C2		70 (18.5)	120 (31.7)
2	DSG-3C4			
3	DSG-3C5			
4	DSG-3C10			
5	DSG-3C60		50 (13.2)	80 (21.1)
6	DSG-3C3			
7	DSG-2D2			
8	DSG-2D3		70 (18.5)	120 (31.7)
9	DSG-2B3			
10	DSG-2B2			
11	DSG-2B8			

SOLENOID OPERATED DIRECTIONAL VALVE

Dimensions

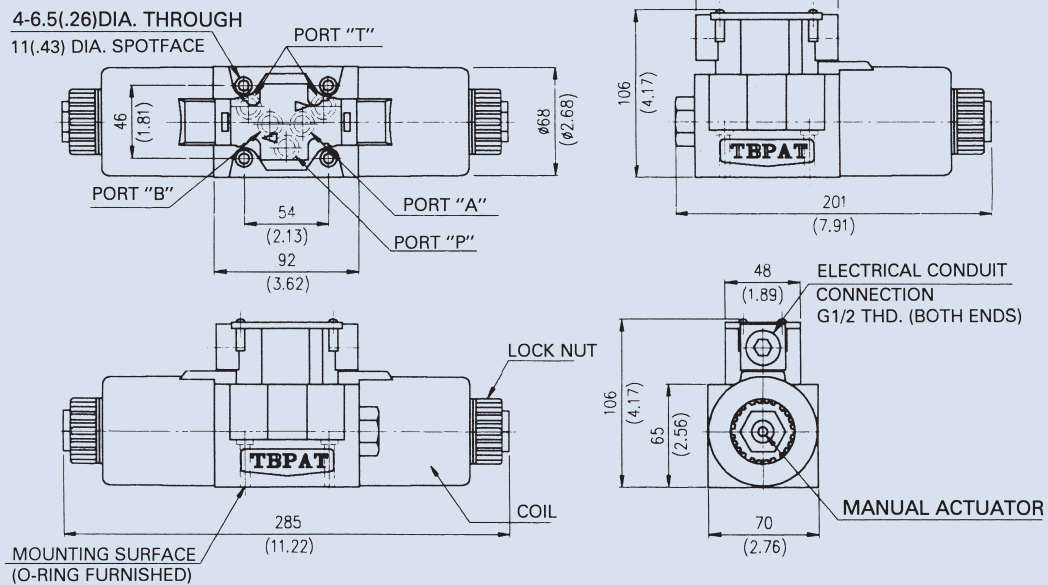
DSG-03-AC

Unit: mm
(inch)



Parts name	Description	Tightening torque
Attachment SOC. HD. cap screw	M6 x 35Lg x 4pcs	12~15Nm
Attachment SOC. HD. cap screw	1/4-20UNC x 1-1/2"Lg x 4pcs	105~130in. lbs

DSG-03-DC/RAC



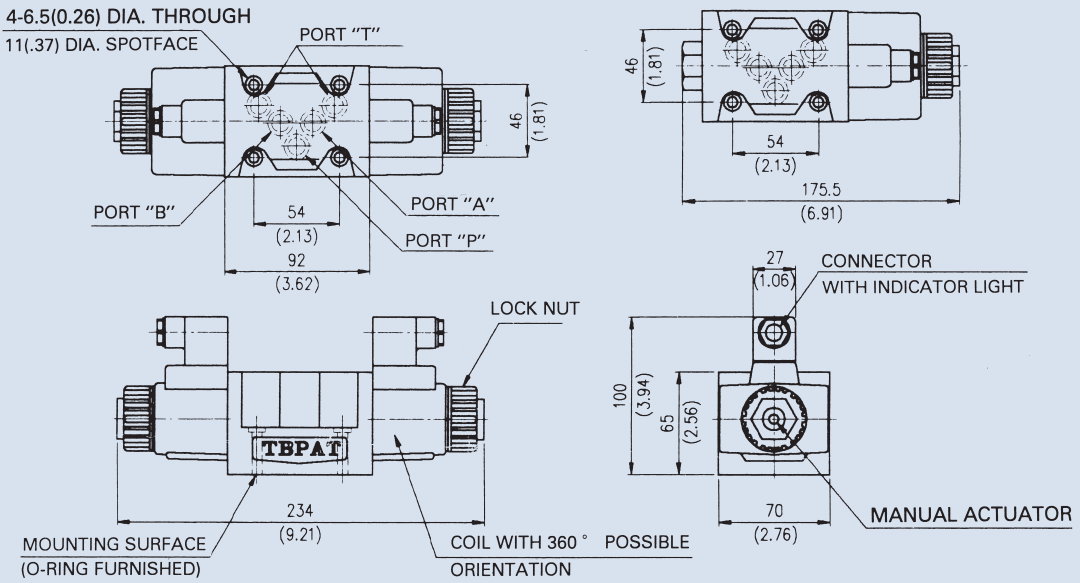
Parts name	Description	Tightening torque
Attachment SOC. HD. cap screw	M6 x 35Lg x 4pcs	12~15Nm
Attachment SOC. HD. cap screw	1/4-20UNC x 1-1/2"Lg x 4pcs	105~130in. lbs

SOLENOID OPERATED DIRECTIONAL VALVE

Dimensions

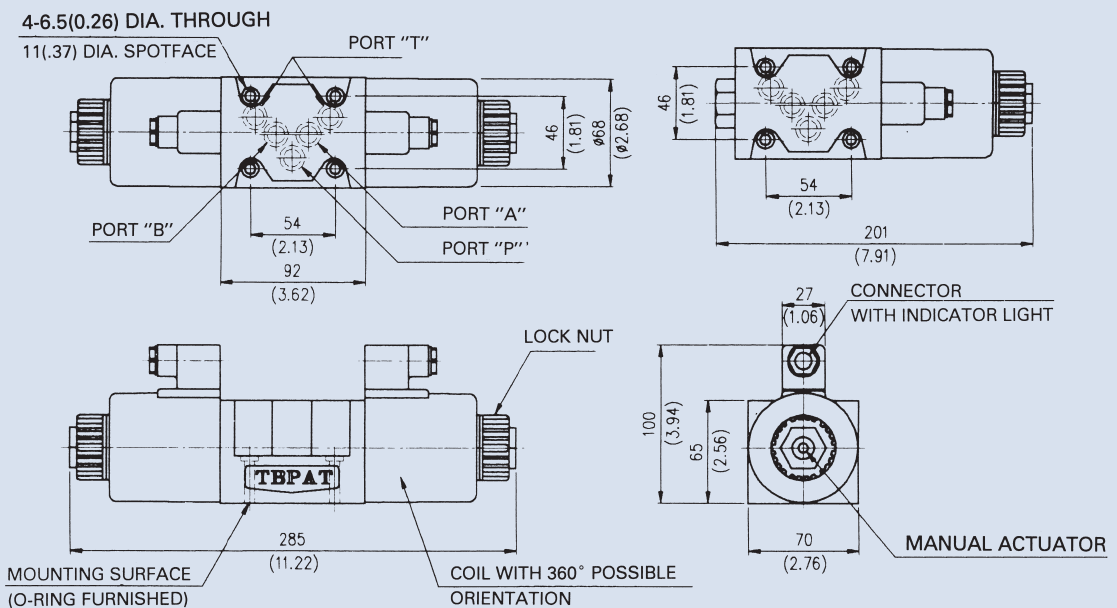
DSG-03-AC-N

Unit: mm
(inch)



Parts name	Description	Tightening torque
Attachment SOC. HD. cap screw	M6 x 35Lg x 4pcs	12~15Nm
Attachment SOC. HD. cap screw	1/4-20UNC x 1-1/2"Lg x 4pcs	105~130in. lbs

DSG-03-DC/RAC-N



Parts name	Description	Tightening torque
Attachment SOC. HD. cap screw	M6 x 35Lg x 4pcs	12~15Nm
Attachment SOC. HD. cap screw	1/4-20UNC x 1-1/2"Lg x 4pcs	105~130in. lbs

SOLENOID OPERATED DIRECTIONAL VALVE

Specifications

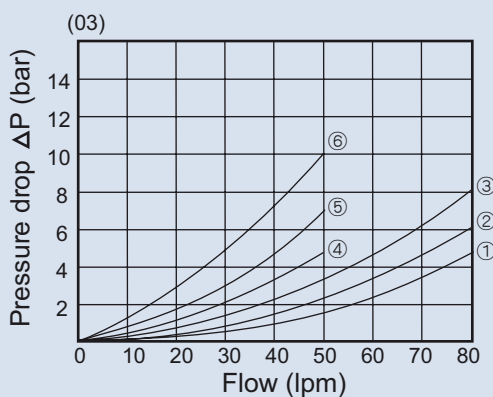
Max. pressure	P.A.B.	315 bar (4600psi)	
Max. back pressure	T	70~160 bar (1400~2300psi)	
Weight kg (lb)	Single solenoid	AC 3.3 (7.3)	DC (R) 3.7 (8.2)
	Double solenoid	AC 4 (8.8)	DC (R) 4.8 (10.6)
Maximum frequency of operation (cycle/min)		150	
Ambient temperature range recommended		5~60 °C (67~166 °F)	
Using oil (cst)		20~300	
Filtration (micron)		25	

Performance curves

Performance chart

	P→A	P→B	A→T	B→T	P→T
3C2	③	③	③	③	—
3C3	①	①	③	③	④
3C4	③	③	①	①	—
3C5	①	⑥	③	⑤	④
3C60	⑥	⑥	⑤	⑤	④
3C10	③	③	③	①	—
2D2	②	②	⑤	⑤	—
2D3	①	①	③	③	—
2B2	②	②	⑤	⑤	—
2B3	④	③	①	④	—

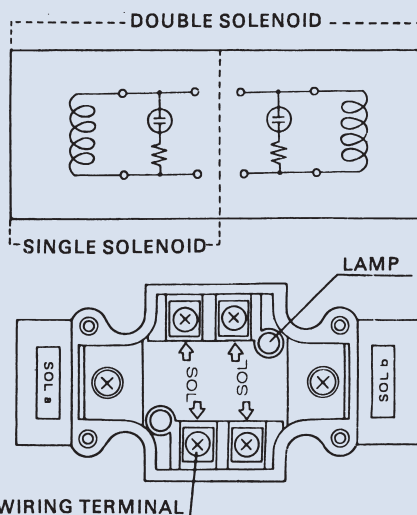
Test fluid viscosity: 35 cst
Test temperature: 50 °C (122 °F)



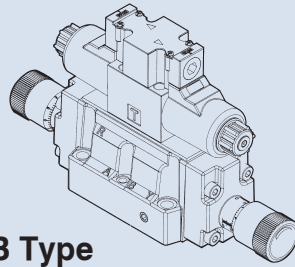
Technical data

Current AC/DC	AC				DC	
	50	60	50	60	—	—
Frequency (Hz)	50	60	50	60	—	—
Rating voltage (V)	110	110	220	220	12	24
(01) 1/4	In-rush current	2.7	2.3	1.4	1.2	2
	Holding current	0.45	0.38	0.23	0.19	
(03) 3/8"	In-rush current	4.8	4.4	2.4	2.1	3.0
	Holding current	0.79	0.72	0.39	0.34	
DSG	In-rush current	0.5	0.5	0.25	0.25	—
01R	Holding current	0.35	0.35	0.18	0.18	—
DSG	In-rush current	0.66	0.66	0.33	0.33	—
03R	Holding current	0.45	0.45	0.28	0.28	—
Permissible voltage (V)	Rating voltage +10% or -15%					
Insulation resistance (MΩ)	More than 100MΩ (DC 500V insulation tester)					

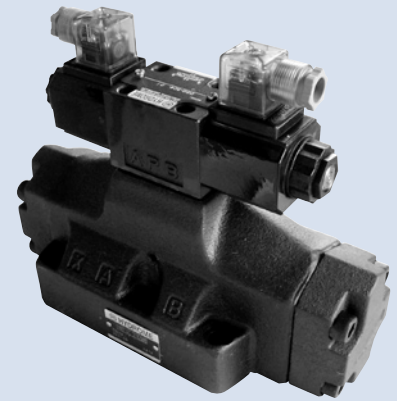
Electrical wirings



PILOT OPERATED DIRECTIONAL VALVE



AB Type



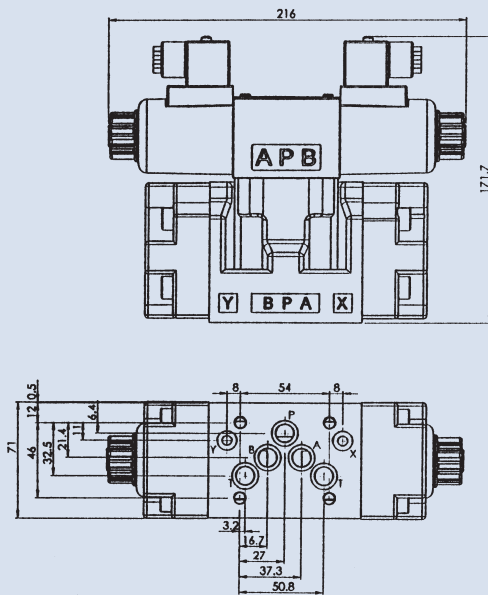
How to order

DSHG - 06 - 3C2 - AB - E - T - A1

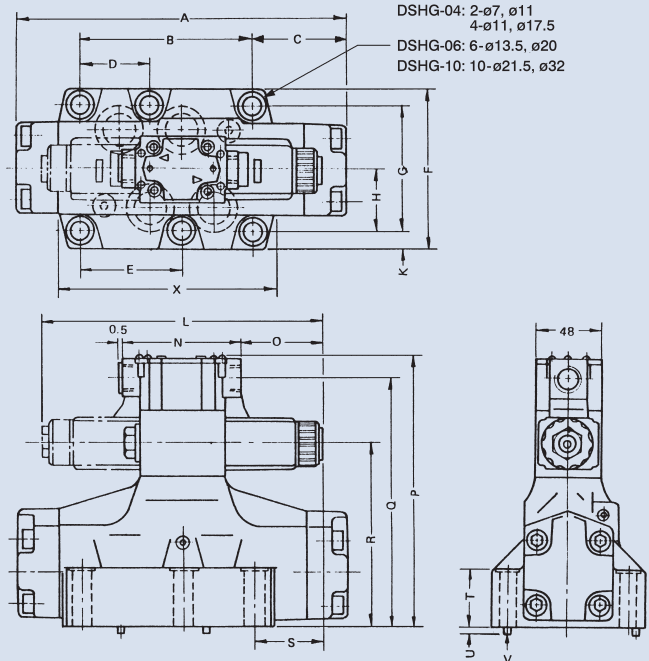
	1	2	3	4	5	6	7
1	Model						
2	Nominal valve size	03: 3/8" (ISO CETOP 5, NFPA D05, DIN NG 10)	04: 1/2" (ISO CETOP 7, NFPA D07, DIN NG 16)				
		06: 3/4" (ISO CETOP 8, NFPA D08, DIN NG 25)	10: 1-1/4" (ISO CETOP 10, NFPA D10, DIN NG 32)				
3	Spool type						
4	AB: With stroke adjusting both ends	A: With stroke adjusting port A	B: With stroke adjusting port B				
5	E: External pilot	Omit: Internal pilot					
6	T: Internal drain	Omit: External drain					
7	Voltage	A11: AC110V (50/60HZ)	A22: AC220V (50/60HZ)	A24: AC240V (50HZ)	A38: AC380V (50HZ)	D1: DC12V	D2: DC24V
		R1: R110V (50/60HZ)	R2: R220V (50/60HZ)				

Dimensions

DSHG-03



DSHG-04, 06, 10

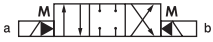


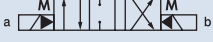

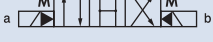
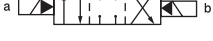


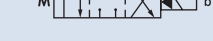
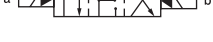


Unit: mm

Model	A	B	C	D	E	F	G	H	K	L	N	O	P	Q	R	S	T	U	V	X
DSHG-04	204	101.6	50.4	34	50	91	69.8	-	9	215	90	60	180.3	163	116	53.4	35	4	2- ϕ 3	-
DSHG-06	255	130.2	74.3	53.2	77	118	92.1	46.1	13	215	90	60	201.5	184	137	51.3	41	6	2- ϕ 6	156
DSHG-10	384	190.5	116	76.2	114.3	198	158.8	79.4	19.6	215	90	60	264.5	247	200	28.5	45	6	2- ϕ 6	233.8

PILOT OPERATED DIRECTIONAL VALVE

Specifications

Model Numbers			DSHG-03		DSHG-04		DSHG-06		DSHG-10	
ITEM	Model Numbers	Spool Type	Rated Flow (lpm)	Max. Flow (lpm)	Rated Flow (lpm)	Max. Flow (lpm)	Rated Flow (lpm)	Max. Flow (lpm)	Rated Flow (lpm)	Max. Flow (lpm)
1	DSHG-3C2		90	160	135	300	310	500	570	1100
2	DSHG-3C4		90	160	135	300	310	500	570	1100
3	DSHG-3C5		90	160	245	280	230	450	570	950
4	DSHG-3C10		90	160	135	300	310	500	570	1100
5	DSHG-3C6		90	160	245	280	230	450	570	950
6	DSHG-3C3		90	160	135	300	230	450	570	950
7	DSHG-2D2		90	160	135	300	310	500	570	1100
8	DSHG-2D3		90	160	135	300	310	500	570	1100
9	DSHG-2B3		90	160	245	280	230	450	570	950
10	DSHG-2B2		90	160	245	280	230	450	570	950
11	DSHG-3C9		90	160	245	280	230	450	570	950
Max. pressure		P.A.B.	315 bar (4600 psi)							
Max. back pressure		T	70~160 bar (1400~2300 psi)							
Weight kg (lb)		Single solenoid	6.4 (14.08)		7.6 (16.72)		13.3 (29.26)		51.6 (113.52)	
		Double solenoid	6.9 (15.18)		8 (17.6)		13.7 (30.14)		52 (114.40)	
Maximum frequency of operation (cycle/min)			120							
Ambient temperature range recommended			5~60 °C (67~166 °F)							
Using oil (cst)			20~300							
Filtration (micron)			25							

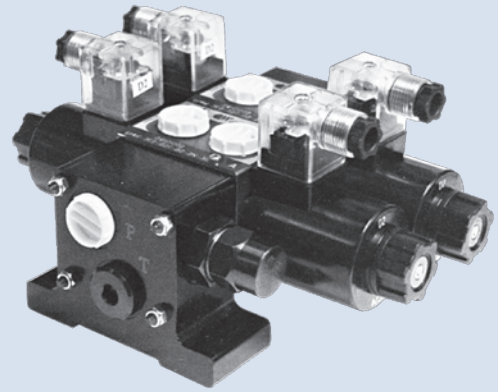
SPOOL FUNCTION TABLE

Specifications

Three Position Spring Center	Standard Type		Two Position No Spring	Standard Type			
3C2			2D2		2D2A		
3C3			2D3		2D3A		
3C4			2D7		2D4A		
3C40			2D8		2D40A		
3C5			Spring Offset	Standard Type		2D5A	
3C60						2D7A	
3C7						2D9A	
3C8			2B2		2D10A		
3C9			2B3		2D11A		
3C10			2B8		2D12A		
3C11							
3C12							

Two Position Spring Offset	Standard Type		Two Position Spring Offset	Standard Type		Opposite Type	
2B2A			2B2B				
2B3A			2B3B				
2B4A			2B4B				
2B40A			2B40B				
2B5A			2B5B				
2B60A			2B60B				
2B7A			2B7B				
2B8A			2B8B				
2B9A			2B9B				
2B10A			2B10B				
2B11A			2B11B				
2B12A			2B12B				


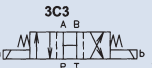

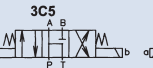
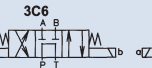
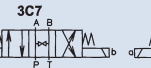
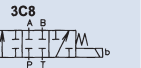

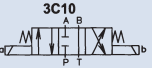

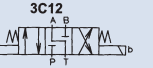
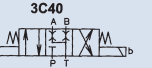
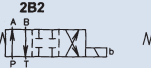
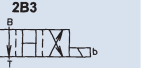
SOLENOID OPERATED STACK VALVE (SECTIONAL)



How to order

DMW - * - 02 T - * - * - * - *

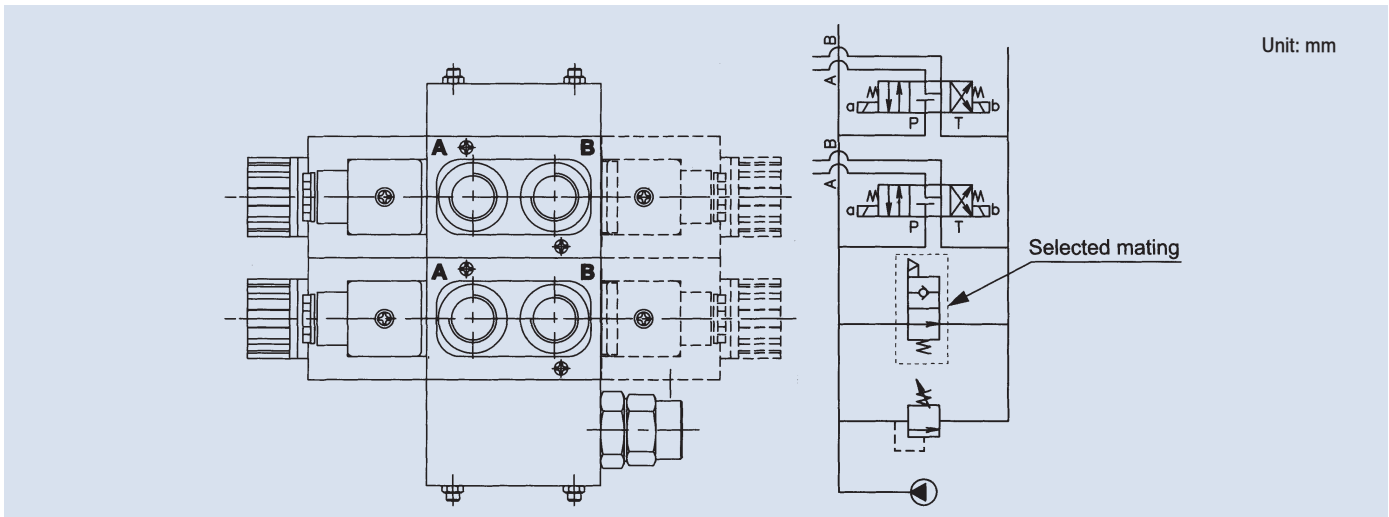
1 2 3 4 5 6 7 8

1	Model					
2	Spool type	      				
		      				
3	Nominal valve size 1/4"					
4	Mounting type	T: Thread connection				
5	Voltage	A1: AC110V (60HZ) A115: AC115V (50HZ) A230: AC230V (50HZ) A2: AC220V (60HZ) D1: DC12V D2: DC24V				
6	Wiring type	None: Din type X: Double lead				
7	Number of valve block	1N~7N: 1~7 blocks				
8	Release valve (selected mating) for inlet section	S1: DC12V S2: DC24V S3: RAC110V S4: RAC220V NC: Normal closed NO: Normal open				

Specifications

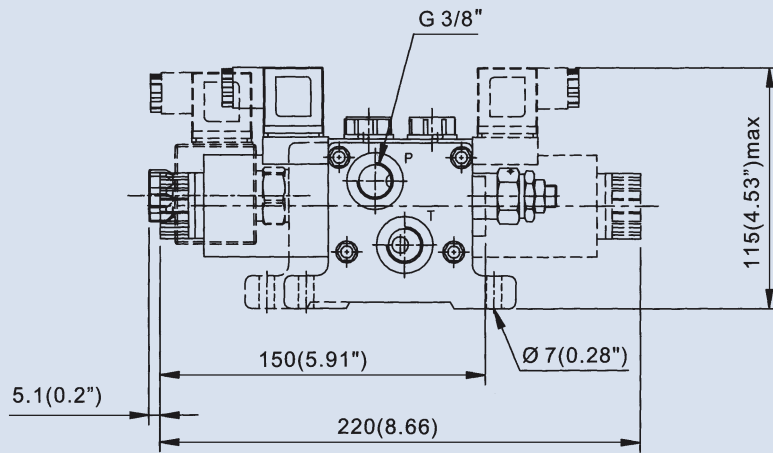
Model	Max. Pressure (bar)	Max. Flow (lpm)	Weight (kg)
DMW-* -02T	250	70	

Dimensions

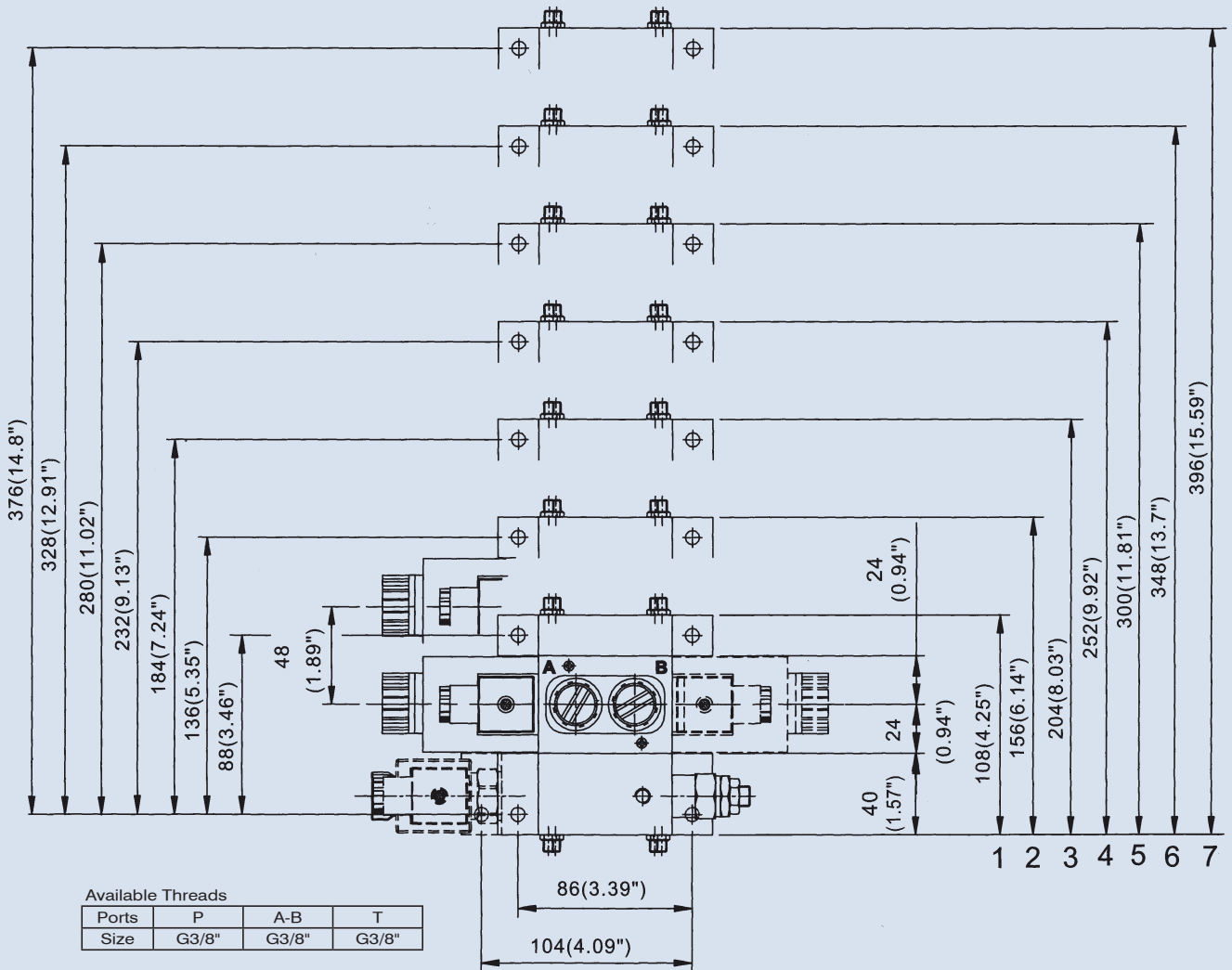


SOLENOID OPERATED STACK VALVE (SECTIONAL)

Dimensions

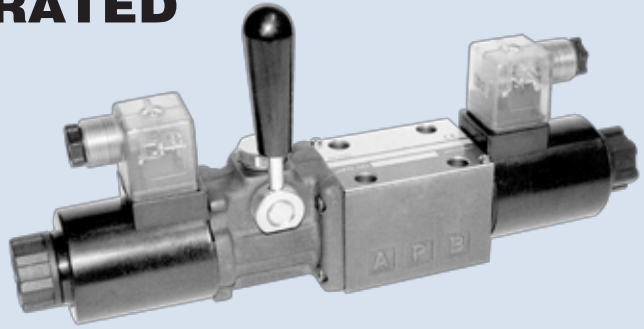
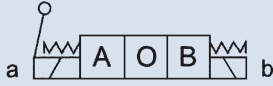


Unit: mm
(inch)



Available Threads			
Ports	P	A-B	T
Size	G3/8"	G3/8"	G3/8"



SOLENOID MANUAL OPERATED DIRECTIONAL VALVE



How to order

WED - * - 02 G - * - 30

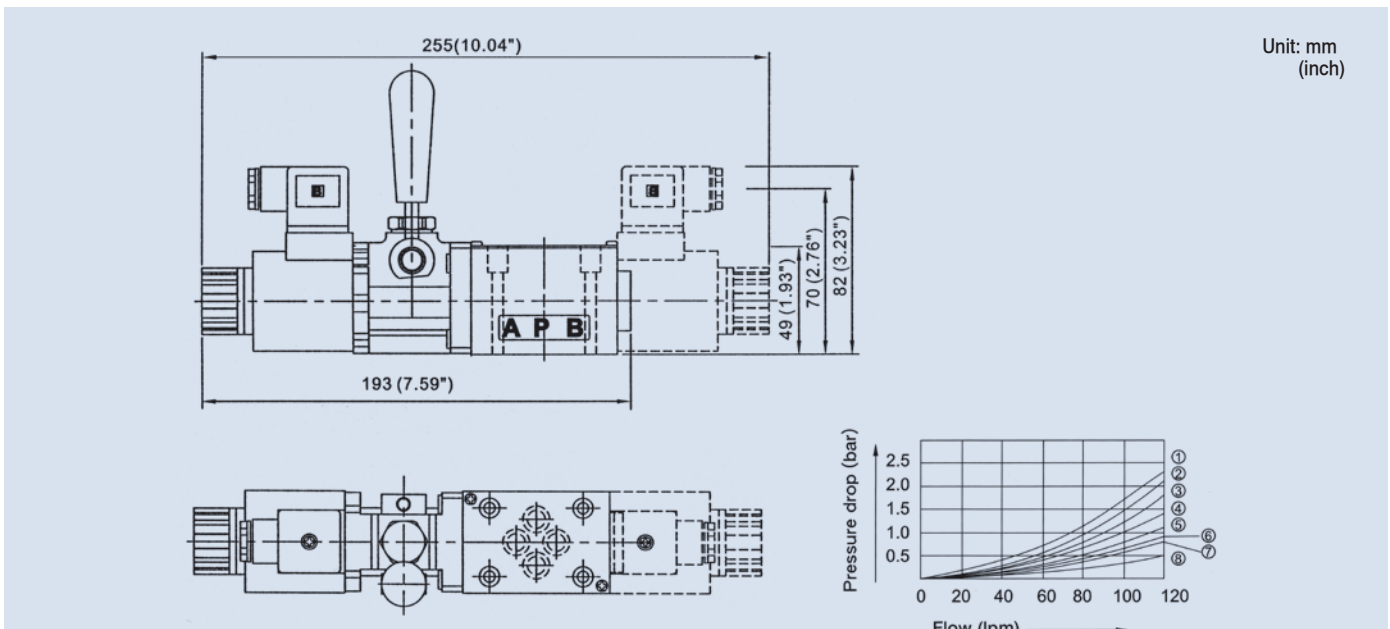
1 2 3 4 5 6

- 1 Model
- 2 Spool type (refer to page 66)
- 3 Nominal valve size 1/4" (ISO CETOP 3, NFPA D03, DIN NG 6)
- 4 Mounting type G: Sub-plate mounting
- 5 Voltage A1: AC110V (60HZ) AC115: AC115V (60HZ) A230: AC230V (50HZ) A2: AC220V (60HZ)
D1: DC12V D2: DC24V R1: RF110V (50/60HZ) R2: RF220V (50/60HZ)
- 6 Wiring type 30: Din type  40: Amp type 

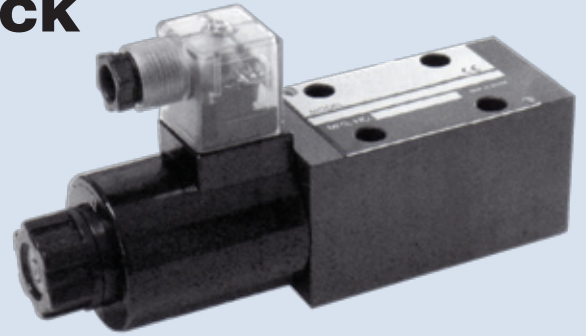
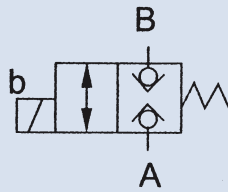
Specifications

Model	Max. Pressure (bar)	Max. Flow (lpm)	Weight (kg)			
			AC		DC (RF)	
			Single Sol.	Double Sol.	Single Sol.	Double Sol.
WED-**-02G	315	100	2	2.35	2.1	2.5

Dimensions / Performance curve



SOLENOID OPERATED CHECK VALVE



How to order

LVS - 02 G - A2

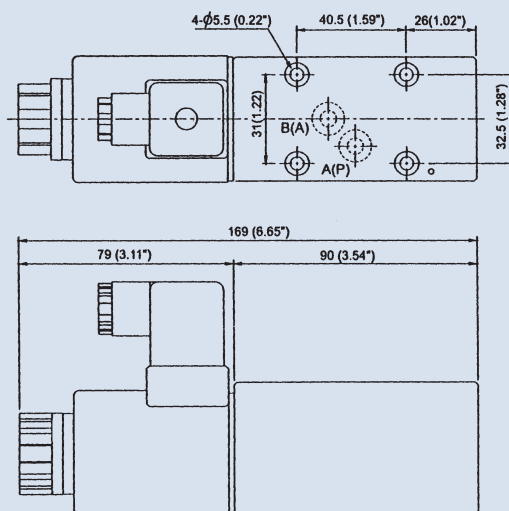
1	2	3	4
1	Model		
2	Normal valve size 02: 1/4" (ISO CETOP 3, NFPA D03, DIN NG 6)	03: 3/8" (ISO CETOP 5, NFPA D05, DIN NG 10)	
3	Control type		
4	Voltage A1: AC115V (50HZ)	A2: AC230V (50HZ)	D1: DC12V D2: DC24V

Specifications

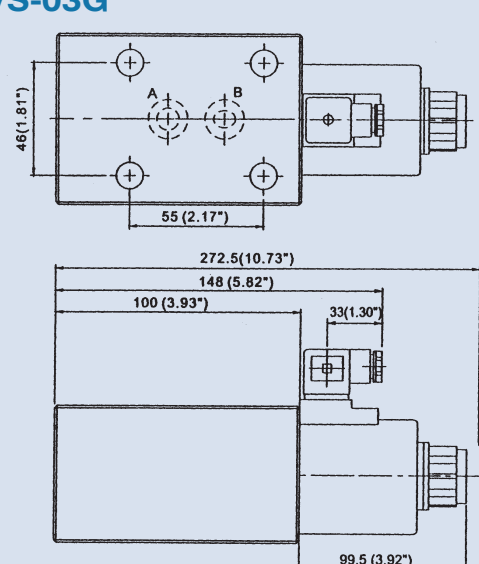
Model	Max. Operating Pressure (bar)	Max. Flow (lpm)	Weight (kg)
LVS-02G	250	35	1.6
LVS-03G		50	3.5

Dimensions

LVS-02G



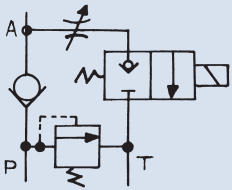
LVS-03G



Unit: mm (inch)

LIFT VALVE

Normal closed



How to order

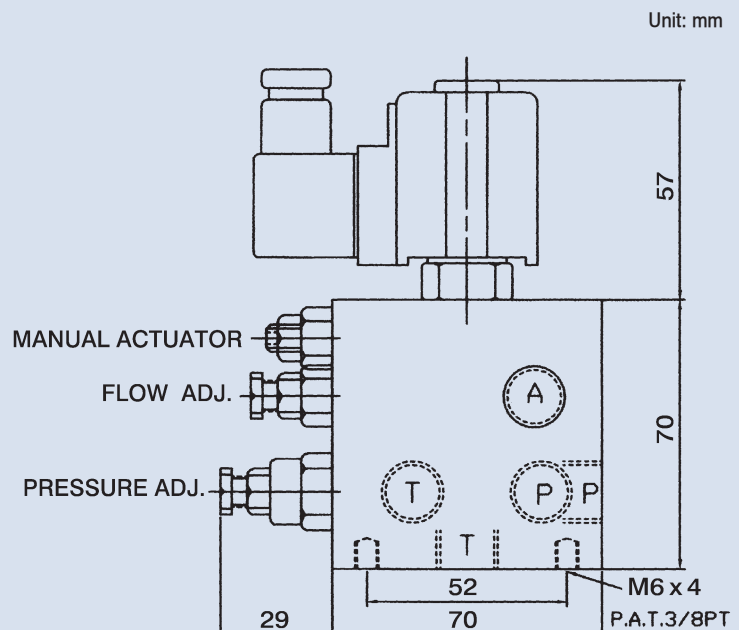
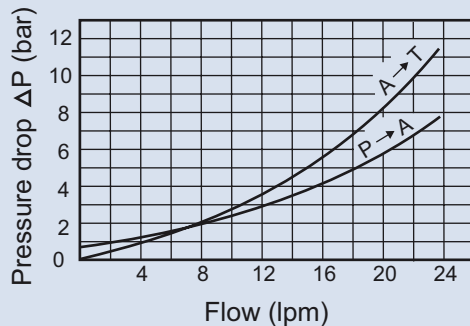
LVS - 03 T - NC - A22

1	2	3	4	5
1	Model LVS: Ductile iron body			
2	Valve size 03: 3/8"			
3	Mounting type T: Thread connection			
4	NC: Normal closed NO: Normal open			
5	Voltage A11: AC110V (50/60HZ) A22: AC220V (50/60HZ) D1: DC12V D2: DC24V			

Specifications

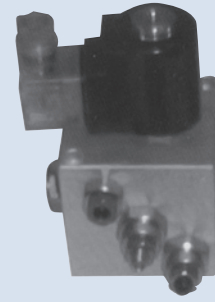
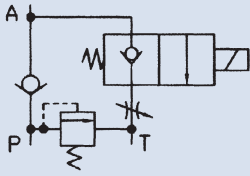
Model	Max. Operating Pressure (bar)	Max. Flow (lpm)	Max. Frequency (cpm)	Weight (kg)
LVS-03T	250	25	120	2.8

Dimensions / Performance curves



LIFT VALVE

Normal closed



How to order

KVS - 03 TL - NC - A22

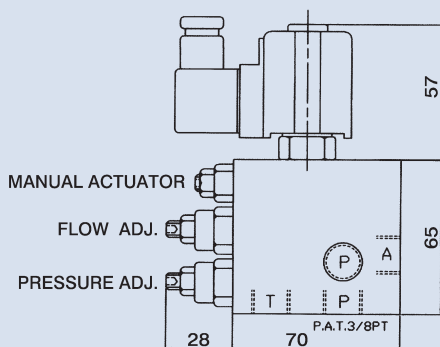
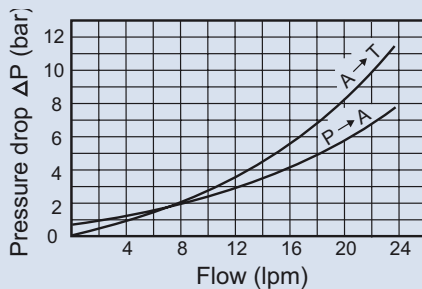
	1	2	3	4	5
1	Model	Aluminum alloy body			
2	Valve size	03: 3/8"	04: 1/2"		
3	Mounting type	TL: Thread connection			
4		NC: Normal closed NO: Normal open			
5	Voltage	A11: AC110V (50/60HZ)	A22: AC220V (50/60HZ)	D1: DC12V	D2: DC24V

Specifications

Model	Max. Operating Pressure (bar)	Max. Flow (lpm)	Rated Flow (lpm)	Weight (kg)
KVS-03TL	250	25	20	1.25
KVS-04TL		50	40	1.5

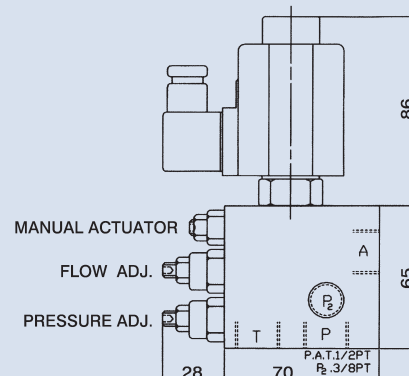
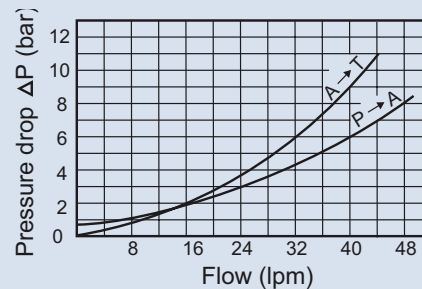
Dimensions / Performance curves

KVS-03TL



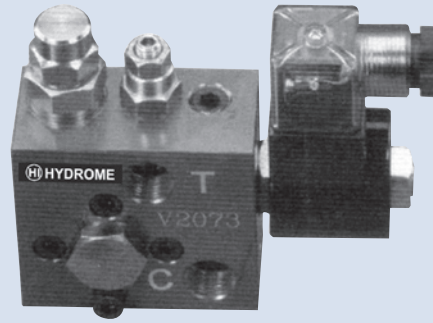
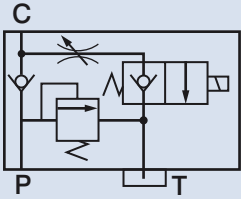
*Holes for bolt fixing: 2-ø7 Through

KVS-04TL



Unit: mm

LIFT VALVE



How to order

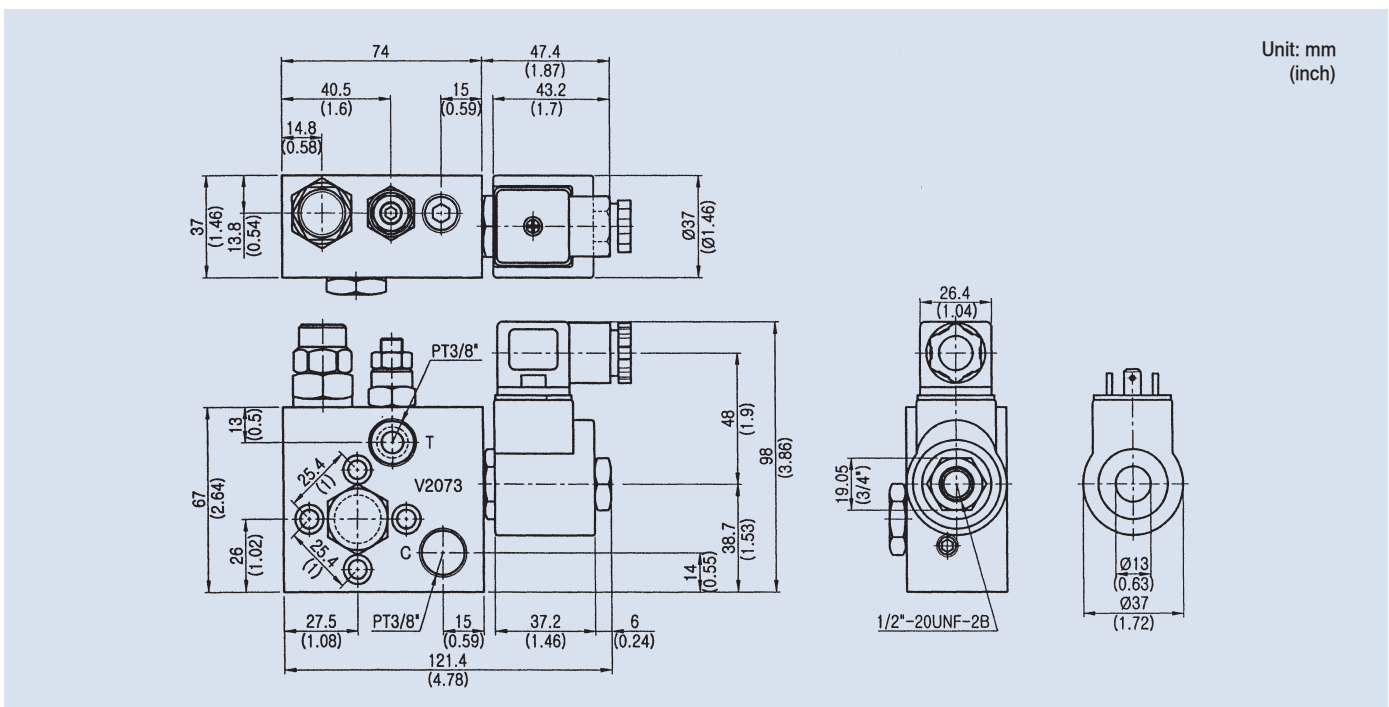
HV2073 - T 03 - NC - * - A22

	1	2	3	4	5	6
1	Model	Aluminum alloy body	Can be mounted on gear pump HGP-2A			
2	Thread connection type					
3	Port size	03: PT 3/8"				
4	NC: Normal closed	NO: Normal open				
5	None: General use	OM: With manual actuator				
6	Voltage	A11: AC110V (50/60HZ)	A22: AC220V (50/60HZ)	D1: DC12V	D2: DC24V	

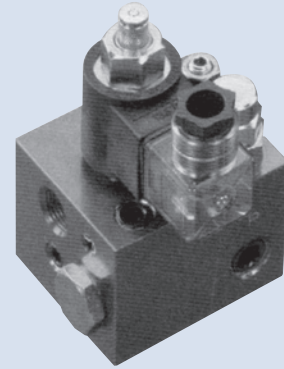
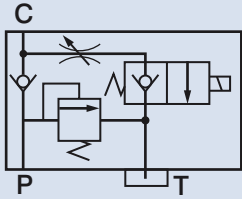
Specifications

Model	Max. Operating Pressure (bar)	Max. Flow (lpm)	Rated Flow (lpm)	Weight (kg)
HV2073	250	20	15	0.93

Dimensions



LIFT VALVE



How to order

HV2074 - T 03 - NC - ✱ - A22

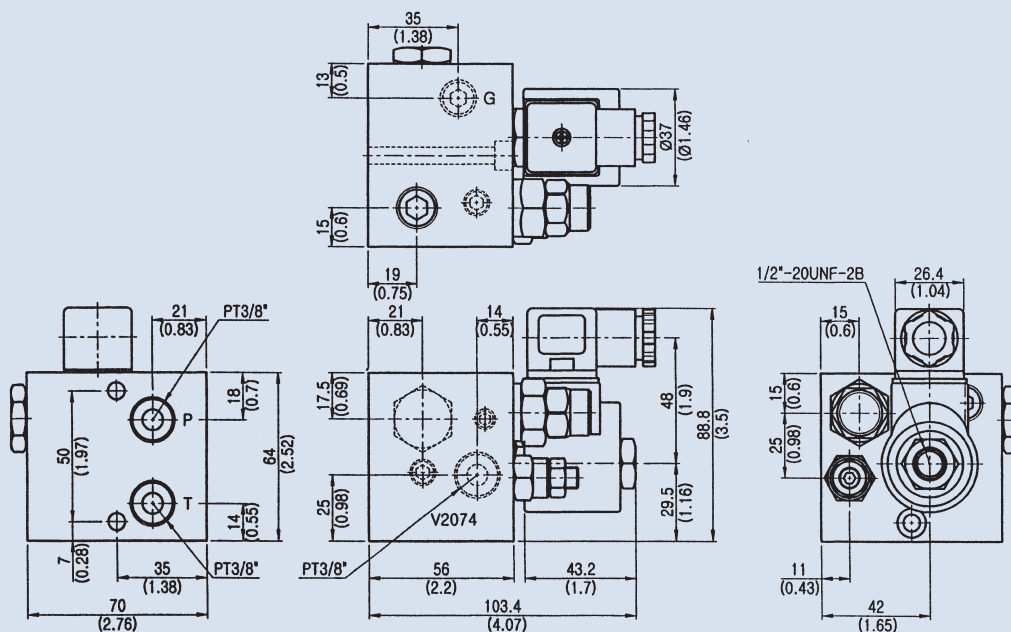
1 2 3 4 5 6

1	Model	Aluminum alloy body
2	Thread connection type	
3	Port size	03: PT 3/8"
4	NC: Normal closed	NO: Normal open
5	None: General use	OM: With manual actuator
6	Voltage	A11: AC110V (50/60HZ) A22: AC220V (50/60HZ) D1: DC12V D2: DC24V

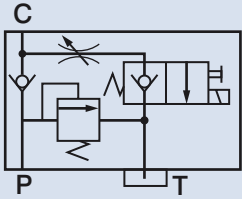
Specifications

Model	Max. Operating Pressure (bar)	Max. Flow (lpm)	Rated Flow (lpm)	Weight (kg)
HV2074	250	20	15	1.05

Dimensions



LIFT VALVE



How to order

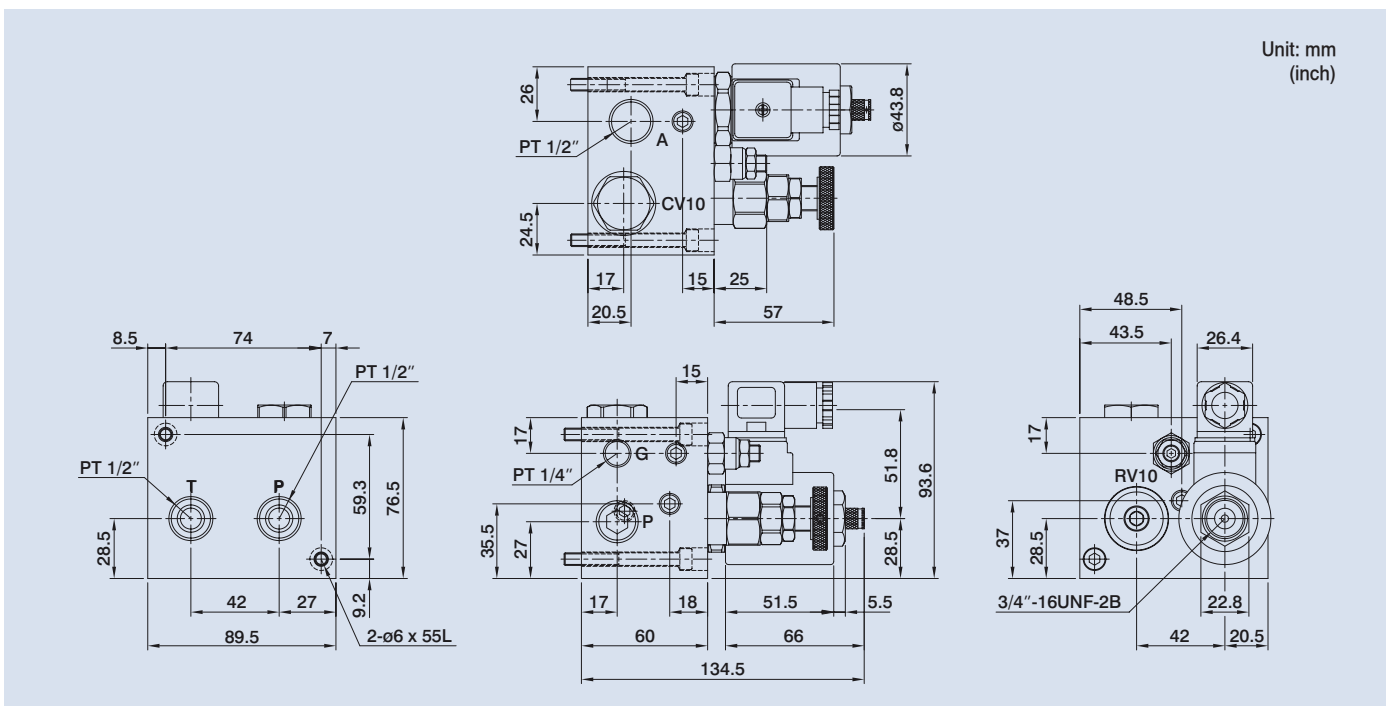
HV3074 - T 04 - NC - ✱ - A22

1	2	3	4	5	6
1	Model	Aluminum alloy body			
2	Thread connection type				
3	Port size	04: PT 1/2"			
4	NC: Normal closed NO: Normal open				
5	None: General use OM: With manual actuator				
6	Voltage	A11: AC110V (50/60HZ) A22: AC220V (50/60HZ) D1: DC12V D2: DC24V			

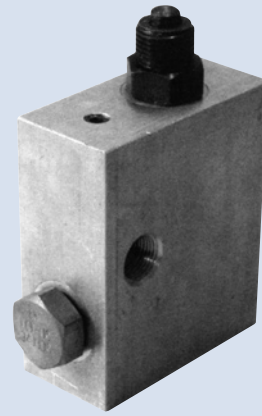
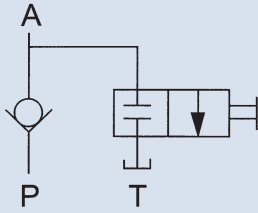
Specifications

Model	Max. Operating Pressure (bar)	Max. Flow (lpm)	Rated Flow (lpm)	Weight (kg)
HV3074	250	50	45	1.6

Dimensions



LIFT VALVE



How to order

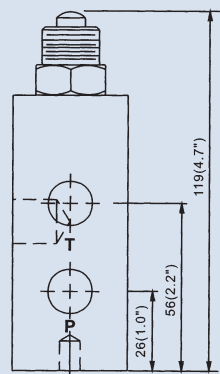
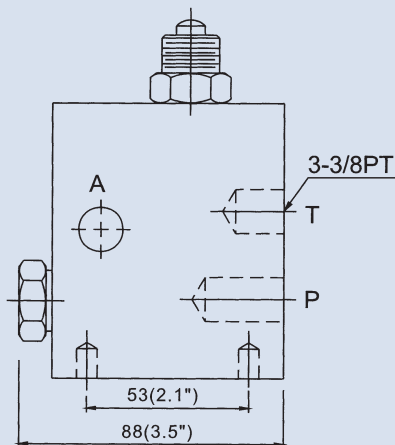
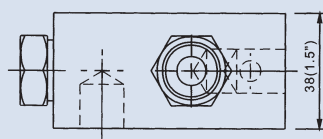
VLT - 03

1	2
1	Model Manual actuating
2	Port size 03: 3/8"

Specifications

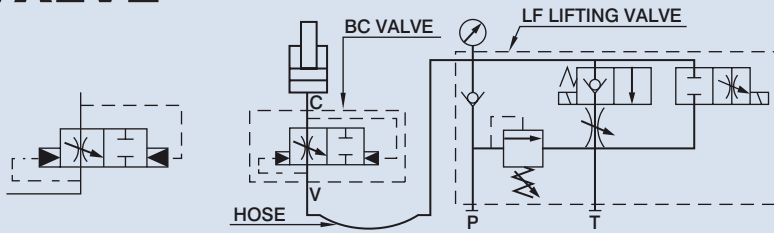
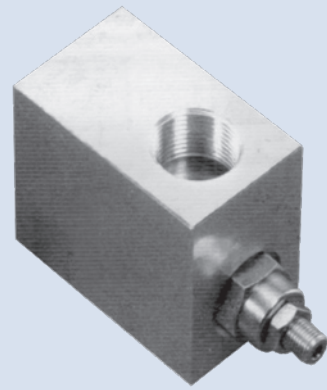
Model	Max. Operating Pressure (bar)	Max. Flow (lpm)	Rated Flow (lpm)	Weight (kg)
VLT-03	250	20	15	1

Dimensions



Unit: mm
(inch)

HOSE BURST PROTECTION VALVE



FUNCTION:

Under normal operation conditions, this valve is normally open. When the system flow going through this valve has a sudden increase over the preset flow velocity level due to system failure, hose burst, or over-load, this valve will shut off automatically to provide safety for operators.

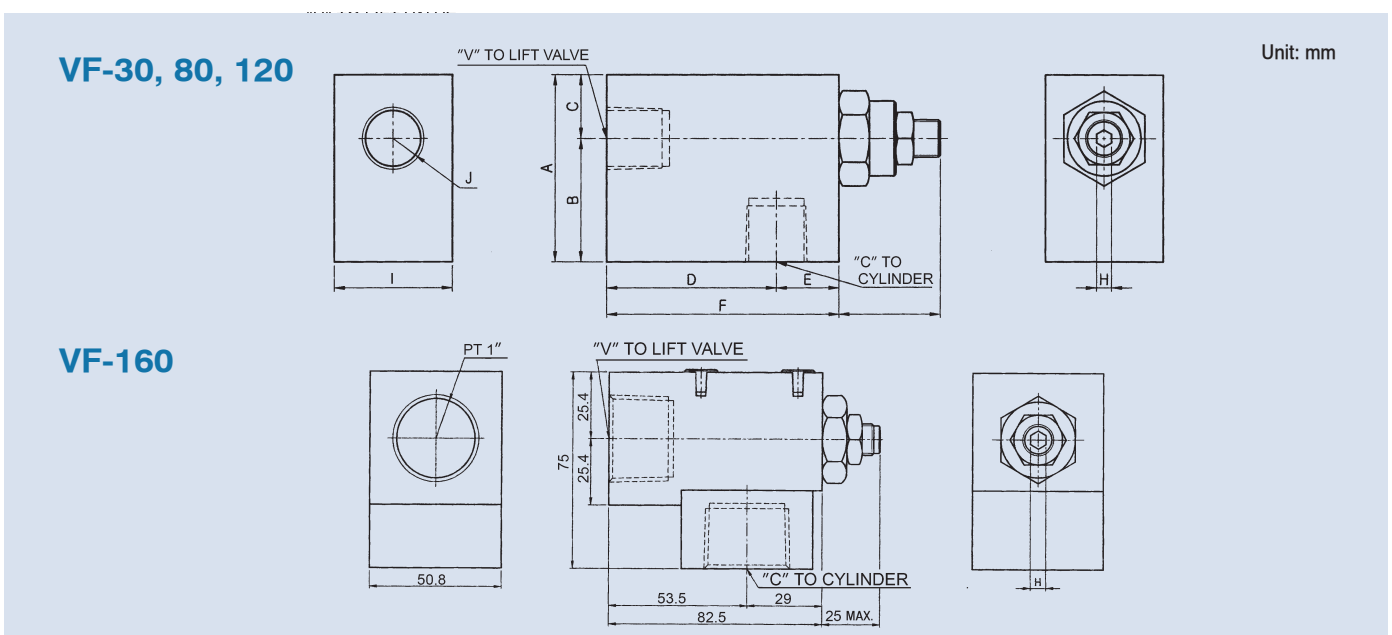
FEATURES:

- The desired flow rate is adjustable and can be preset.
- Compact design provides ease for installation. If C port is mounted directly to T cylinder, the result is even better.

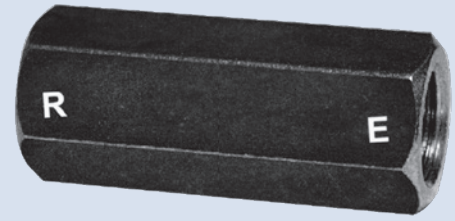
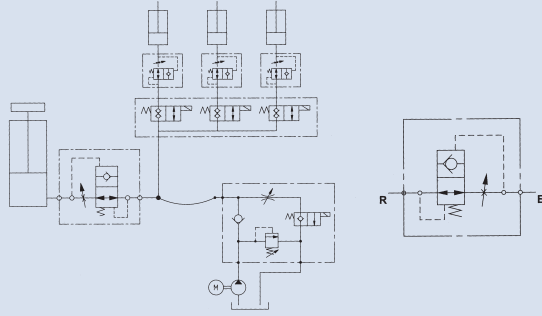
Specifications

Model	A	B	C	D	E	F	G	H	I	J	Max. Operating Pressure (bar)	Max. Flow (lpm)	Weight (kg)
VF-30	38	25	13	36	15	51	25	4	25	PT3/8"	210	30	0.15
VF-80	50	33	17	46	17	63	31	4	32	PT1/2"	210	60	0.31
VF-120	63	42	21	52	20	72	30	4	44	PT3/4"	210	90	0.53
VF-160	50.8	25.4	25.4	53.5	29	82.5	25	6	50.8	PT1"	210	250	0.75

Dimensions



HOSE BURST PROTECTION VALVE

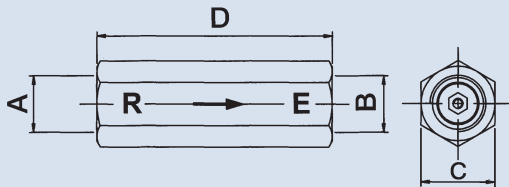


Specifications

Model	Popt Size	Max. Pressure (bar)	Max. Flow (lpm)	Weight (kg)
VAS-02	G 1/4"	350	25	0.12
VAS-03	G 3/8"		50	0.15
VAS-04	G 1/2"		80	0.23
VAS-06	G 3/4"		150	0.36
VAS-08	G 1"		220	1.05

Dimensions / Performance curves

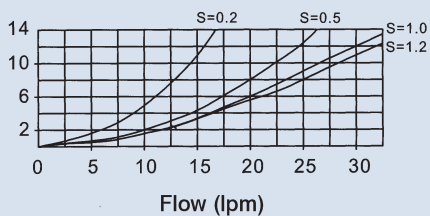
Unit: mm
(inch)



Model	A	B	C	D
VAS-02	G 1/4"	G 1/4"	19 (0.75")	66 (2.6")
VAS-03	G 3/8"	G 3/8"	22 (0.86")	70 (2.76")
VAS-04	G 1/2"	G 1/2"	27 (1.06")	80 (3.15")
VAS-06	G 3/4"	G 3/4"	32 (1.26")	100 (3.94")
VAS-08	G 1"	G 1"	46 (1.81")	115 (4.53")

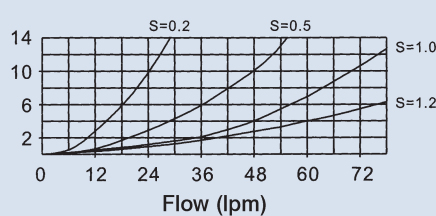
VAS-02

Pressure Drop (bar) R-E



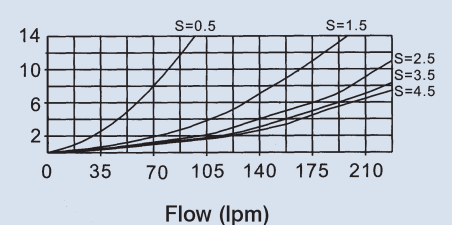
VAS-04

Pressure Drop (bar) R-E



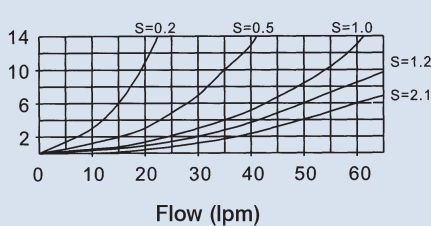
VAS-08

Pressure Drop (bar) R-E



VAS-03

Pressure Drop (bar) R-E



VAS-06

Pressure Drop (bar) R-E

