

FLOW SYSTEM MATIC WATER FLOW REGULATOR

INSTALLATION INSTRUCTIONS FOR FSML-M WATER FLOW METER



从未有过的简单
快速简易的安装
快速简易的装卸接管
快速简易的清洗
快速简易的调整流量

- * 精致超高品质水流量控制器
- * 可使用于添加抗冻剂的循环水
- * 更换模具时可更加快速简易的装卸水管
- * 耐用性强, 使用寿命长
- * 适用于任何机器或模具, 安装简易
- * 每只流量计附温度表
- * 可随时记录每根管路的流量
- * 清洁保养容易

回水至冷却水塔或水槽

Outlet

3/4PT OR NPT
FEMALE

入水从冷却水塔或水槽

Inlet

从模具回水

入水至模具



FSML-600-100

12mm软管接头



金榜塑膠有限公司
ONDA PLASTIC CO., LTD.

4F, NO.80 Kuan Fu Rd sec 2,
Sanchung 241, Taipei, Taiwan

Tel: 886 2 8512 3761 Fax: 886 2 8512 3765

www.ondaplas.com e-mail: onda@ms17.hinet.net

e-mail : sales@ondaplas.com

FLOW SYSTEM MATIC WATER FLOW REGULATOR

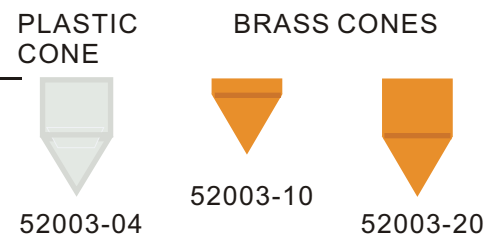
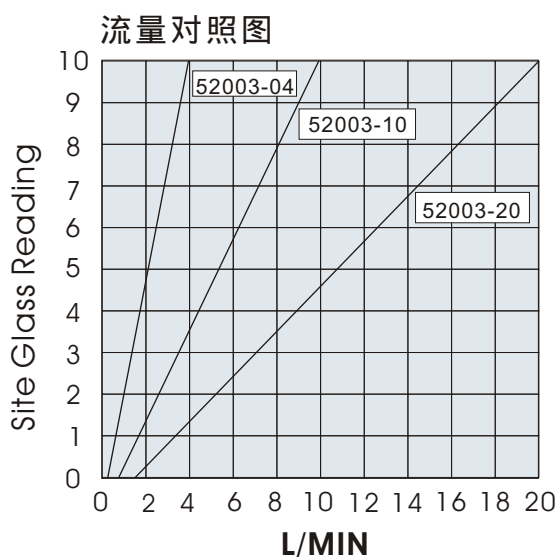
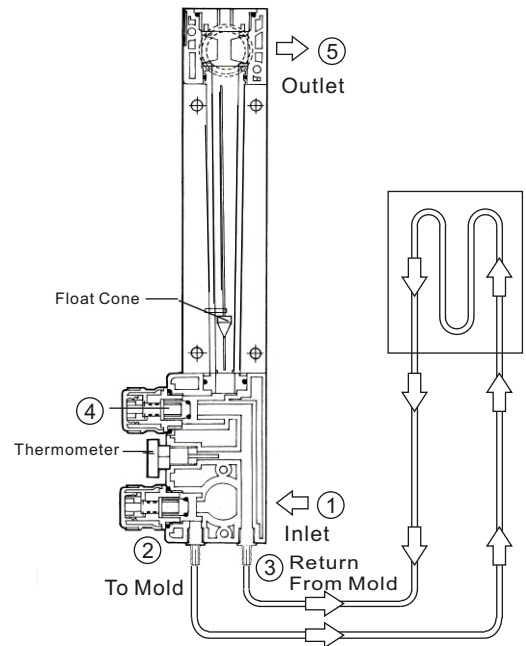
INSTALLATION INSTRUCTIONS FOR FSML-M WATER FLOW METER

水流量计水流分部调整器FSML优点

- A. 流量每分钟为4, 10, 20升的可适用于同一款
- B. 流量管使用超强度耐高温特殊材料, 不易腐蚀
- C. 转动流量管螺母后即可清理, 并可用配置刷子清洁
- D. 流量管管数容易增加和减少, 不需要特殊工具
- E. 流量阀的控制旋钮可以锁住
- F. 每个管路均附温度表显示
- G. 每个管路均附流量计显示

HERE 'S HOW IT WORK

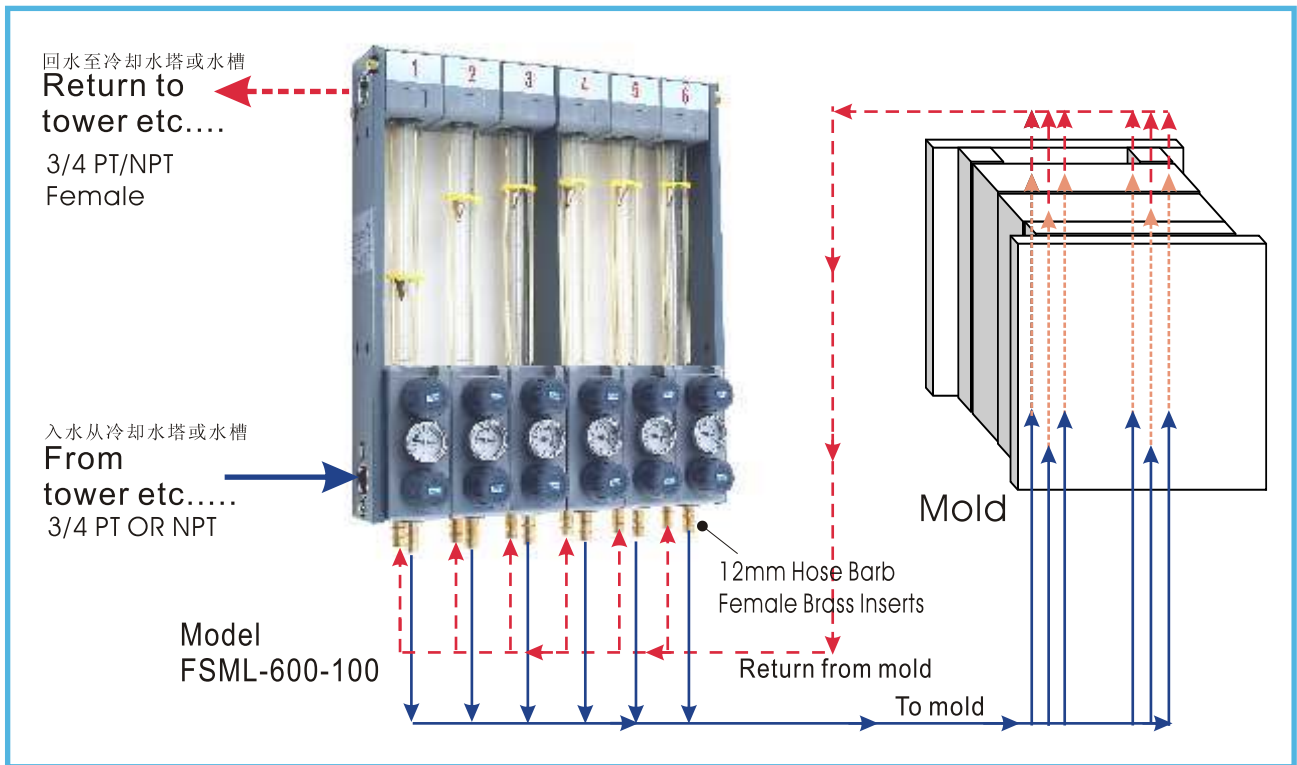
- A. TOWER WATER ETC. IS PIPED TO WATER INLET ① .
- B. FLUID ② FLOWS DIRECTLY TO MOLD THROUGH FITINGS.
- C. AFTER CIRCULATING THROUGH MOLD CHANNELS. FLUID IS DIRECTED UP SIGHT TUBE THROUGH FITTING ③ AND REGULATED BY CONTROL VALVE ④ .
- D. FLUID IS THEN RETURNED TO TOWER, CHILLER OR TEMPERATURE CONTROLLER THROUGH OUTLET ⑤ .



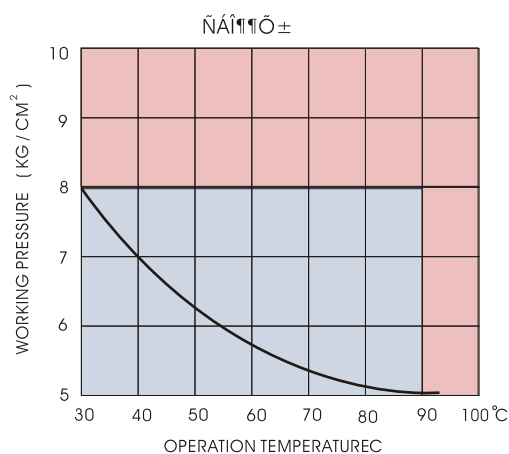
FLOW SYSTEM MATIC WATER FLOW REGULATOR

INSTALLATION INSTRUCTIONS FOR FSML-M WATER FLOW METER

Piping



产品规格	标注*为标准规格	
FSML- 200-040	* FSML- 200-100	FSML- 200-200
FSML- 300-040	* FSML- 300-100	FSML- 300-200
FSML- 400-040	* FSML- 400-100	FSML- 400-200
FSML- 500-040	* FSML- 500-100	FSML- 500-200
FSML- 600-040	* FSML- 600-100	FSML- 600-200
FSML- 800-040	* FSML- 800-100	FSML- 800-200
FSML-1000-040	* FSML-1000-100	FSML-1000-200
FSML-1200-040	* FSML-1200-100	FSML-1200-200



FSML-400-100

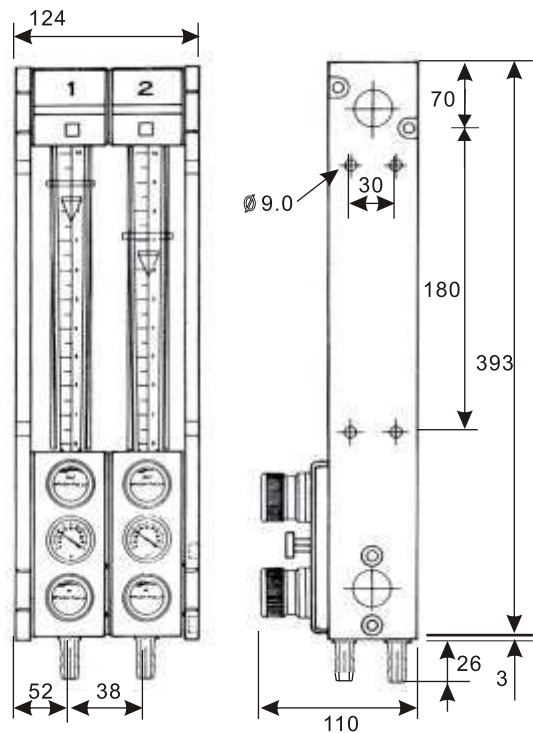
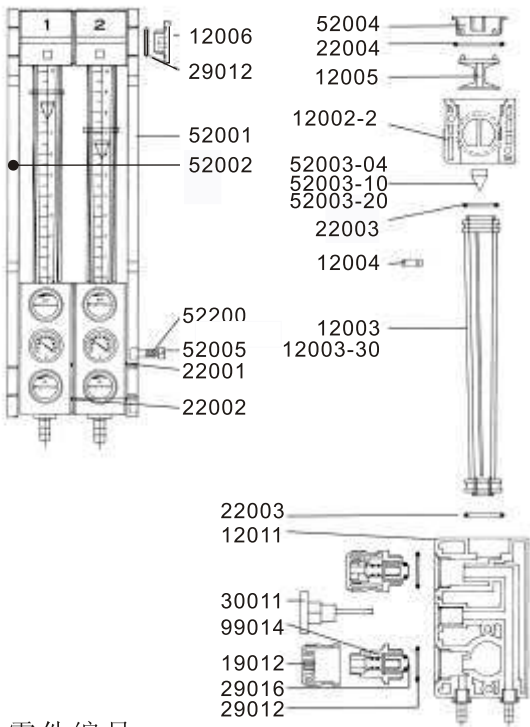
- 10公升/分
- 12mm软管接头
- 4管/组
- Flow System Matic

FSML-800-200

- 20公升/分
- 12mm软管接头
- 8管/组
- Flow System Matic

FLOW SYSTEM MATIC WATER FLOW REGULATOR

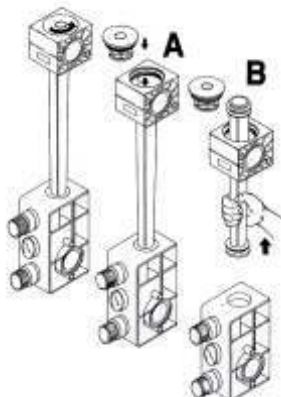
超高品质, 使用寿命长



零件编号

Part No.	Description	Part No.	Description
12011	上本体	22005	○型环
12002-2	下本体	29012	○型环
12003	流量管	29016	○型环
12004	黄色指示环	52001	右铝板
12005	固定环	52002	左铝板
12006	3/4"塞子	52003-04	浮标
19012	旋钮	52003-10	浮标
99015	调整阀	52003-20	浮标
30011	温度表	52200	螺丝
22001	○型环	52500	中间搁板
22002	○型环	59061	清洗毛刷
22003	○型环		
22004	○型环		

型号 MODEL	OVERALL SIZE		
	Dmm 深	Wmm 宽	Hmm 高
FSML-200	125	110	422
FSML-300	178	110	422
FSML-400	228	110	422
FSML-500	282	110	422
FSML-600	333	110	422
FSML-800	442	110	422
FSML-1000	545	110	422
FSML-1200	650	110	422



Operation Instructions Cleaning & Removal of Sight Glass

- Remove "Top Plug" To clean put Brush into Sight Tube through Top Plug hole Brush Up & Down.
- To Remove Sight Tube for cleaning.



金榜塑膠有限公司
ONDA PLASTIC CO., LTD.

4F, NO.80 Kuan Fu Rd sec 2,
Sanchung 241, Taipei, Taiwan

Tel: 886 2 8512 3761 Fax: 886 2 8512 3765

www.ondaplas.com e-mail: onda@ms17.hinet.net

e-mail : sales@ondaplas.com